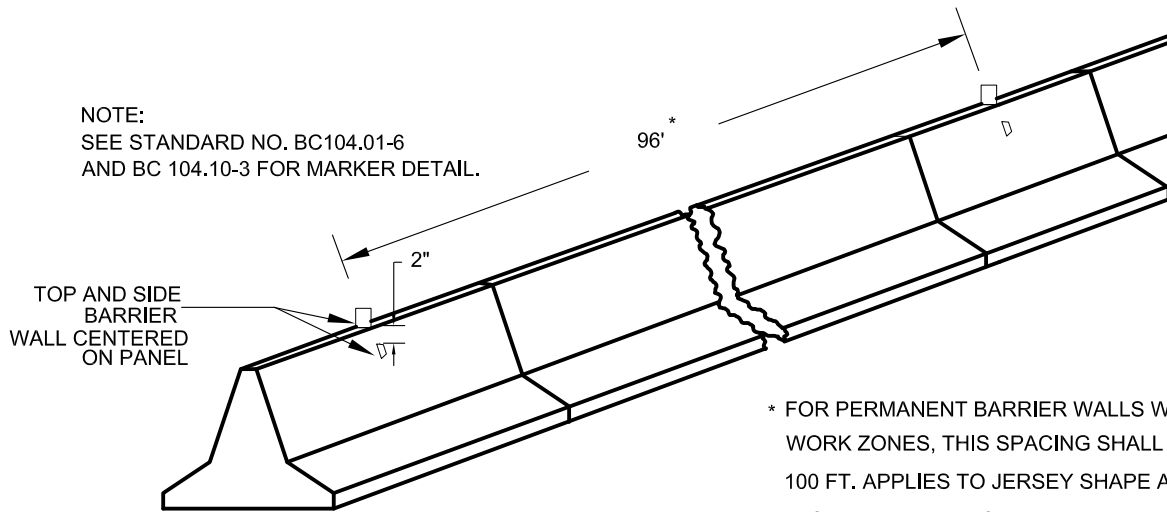


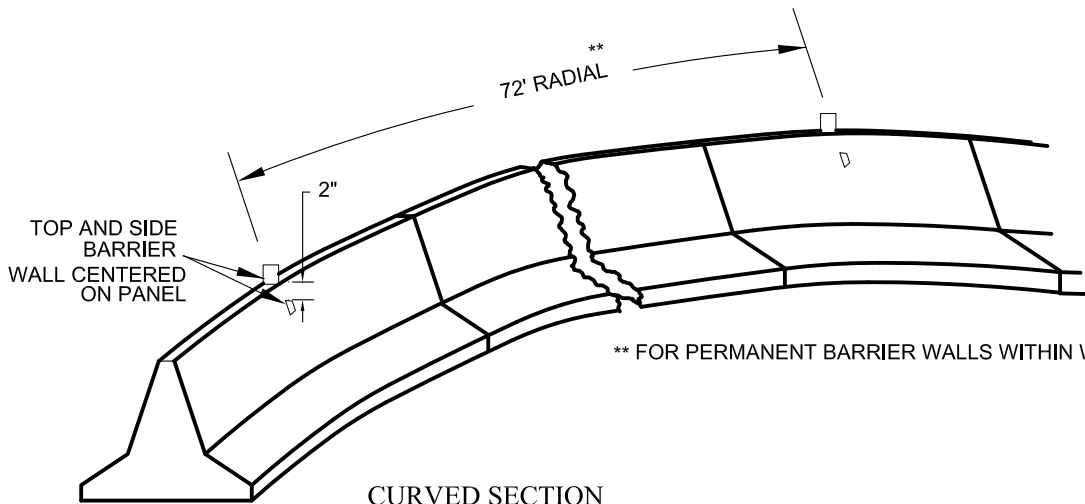
TEMPORARY TRAFFIC CONTROL TYPICAL APPLICATION

NOTE:
SEE STANDARD NO. BC104.01-6
AND BC 104.10-3 FOR MARKER DETAIL.



TANGENT SECTION

* FOR PERMANENT BARRIER WALLS WITHIN WORK ZONES, THIS SPACING SHALL BE 100 FT. APPLIES TO JERSEY SHAPE AND F- SHAPE BARRIERS



CURVED SECTION

** FOR PERMANENT BARRIER WALLS WITHIN WORK ZONES



APPROVED:
Frank Murphy
DEPUTY DIRECTOR - OPERATIONS
Khali Zane
DIRECTOR, DEPARTMENT OF TRANSPORTATION

CITY OF BALTIMORE
DEPARTMENT OF TRANSPORTATION
TRAFFIC DIVISION

**BARRIER DELINEATION
BARRIER BETWEEN 4' AND 15'
FROM EDGE LINE**

ISSUED	REVISED	REVISED
8 / 2010		
STANDARD NO. BC 104.01-7		
SCALE : NONE	SHEET 7 OF 7	