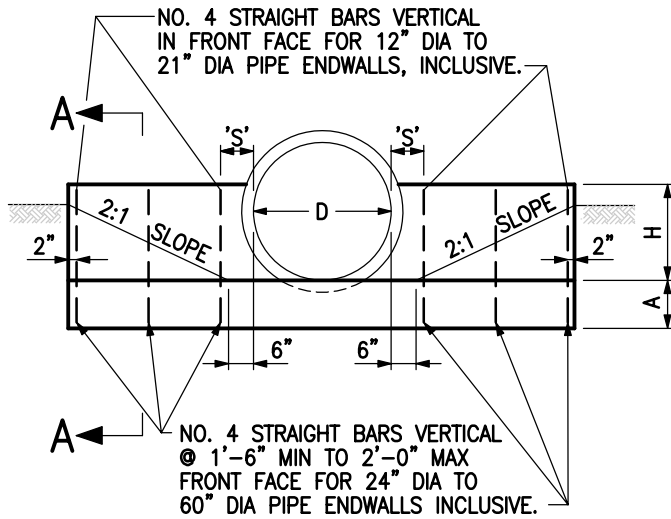
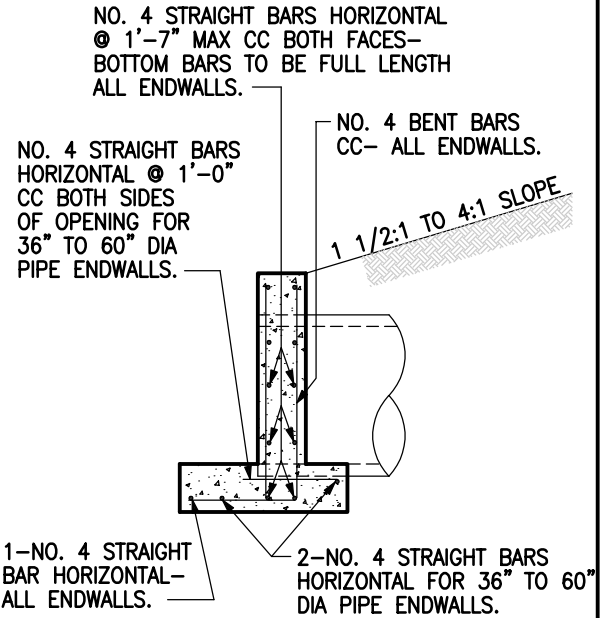


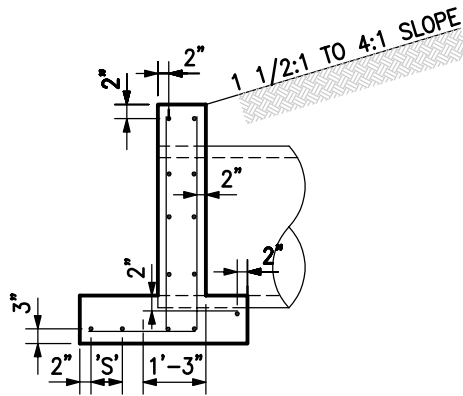
PLAN



ELEVATION






SECTION A - A



DISPOSITION OF BARS DETAIL

NOTES:

1. SPECIFICATIONS: LATEST DPW
2. CONCRETE: CONCRETE SHALL BE MIX 3
3. REINFORCING: DEFORMED STEEL BARS- NO. 4
4. CHAMFER: ALL EXPOSED EDGES 1"x1" OR AS DIRECTED.

	APPROVED:  HEAD, BUREAU OF WATER AND WASTEWATER	CITY OF BALTIMORE DEPARTMENT OF PUBLIC WORKS BUREAU OF WATER AND WASTEWATER	ISSUED	REVISED	REVISED
	 DIRECTOR, DEPARTMENT OF PUBLIC WORKS		3 / 2008		
END SUPPORT WALL CIRCULAR AND ELLIPTICAL PIPE			STANDARD NO. BC 350.02		
			SCALE: NONE	SHEET 1 OF 2	