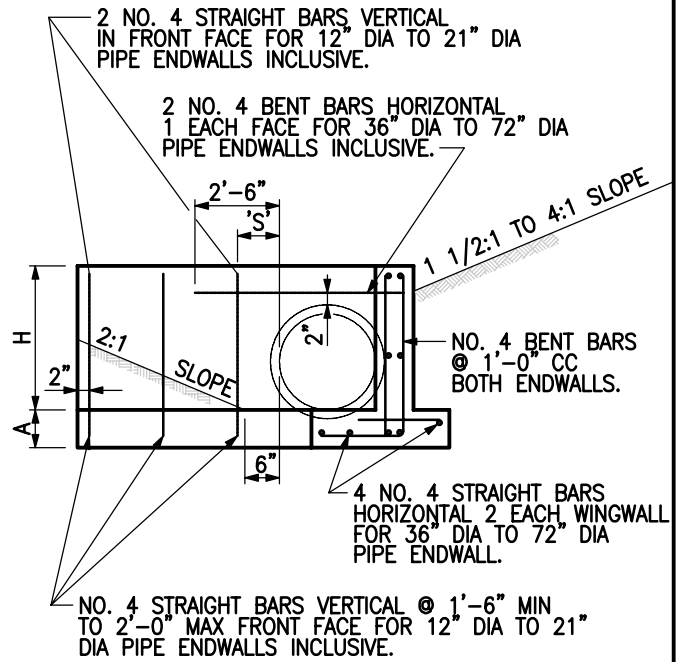
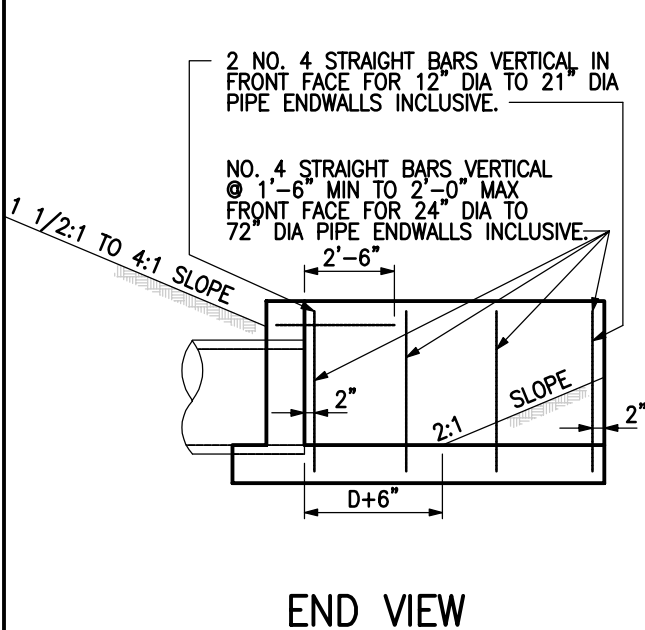


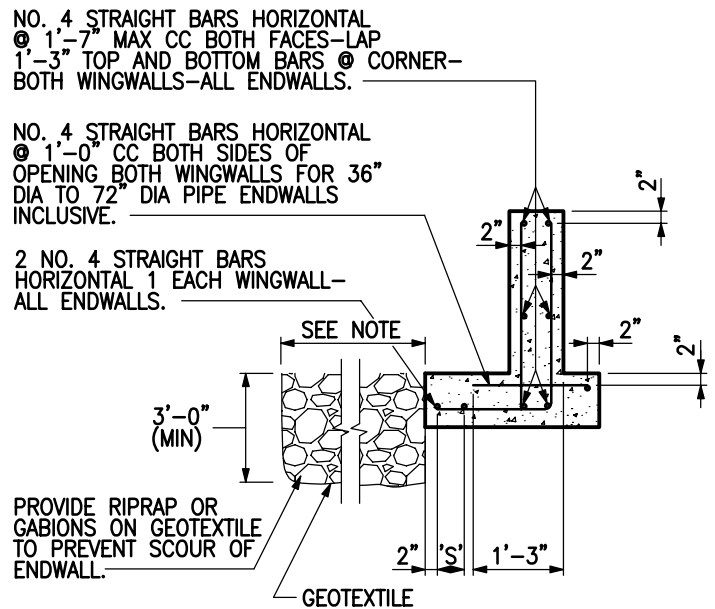
PLAN



SECTION A-A



END VIEW



SECTION B-B

NOTES:

1. SPECIFICATIONS: LATEST DPW
2. CONCRETE SHALL BE MIX 3
3. REINFORCING: DEFORMED STEEL BARS NO. 4
4. CHAMFER: ALL EXPOSED EDGES 1"x1" OR AS DIRECTED.
5. SCOUR PROTECTION: FINAL LIMITS TO BE DETERMINED BY ENGINEER.



APPROVED:

[Signature]
 HEAD, BUREAU OF WATER AND WASTEWATER

[Signature]
 DIRECTOR, DEPARTMENT OF PUBLIC WORKS

CITY OF BALTIMORE
 DEPARTMENT OF PUBLIC WORKS
 BUREAU OF WATER AND WASTEWATER

TYPE 'E' ENDWALL CIRCULAR
 AND ELLIPTICAL PIPE

ISSUED	REVISED	REVISED
3 / 2008		
STANDARD NO. BC 356.02		
SCALE: NONE		SHEET 1 OF 2