

* INVERT ELEVATION TO BE AT THE PIPE END OF THE STANDARD END SECTION. ELEVATIONS TO BE NOTED ON CONSTRUCTION PLANS.

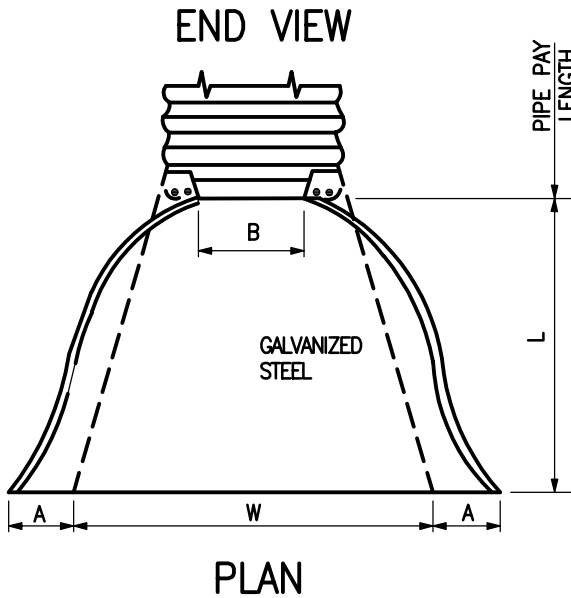


TABLE OF DIMENSIONS								
PIPE DIA	GA	A 1" ±	B MAX	H 1" ±	L 1 1/2" ±	W 2" ±	APPROX SLOPE	BODY
12"	16	6"	6"	6"	21"	24"	2 1/2	1 PC
15"	16	7"	8"	6"	26"	30"	2 1/2	1 PC
18"	16	8"	10"	6"	31"	36"	2 1/2	1 PC
21"	16	9"	12"	6"	36"	42"	2 1/2	1 PC
24"	16	10"	13"	6"	41"	48"	2 1/2	1 PC
30"	14	12"	16"	8"	51"	60"	2 1/2	1 PC
36"	14	14"	19"	9"	60"	72"	2 1/2	2 PC
42"	12	16"	22"	11"	69"	84"	2 1/2	2 PC
48"	12	18"	27"	12"	78"	90"	2 1/4	2 PC
54"	12	18"	30"	12"	84"	102"	2	2 PC
60"	12	18"	33"	12"	87"	114"	1 3/4	3 PC
66"	12	18"	36"	12"	87"	120"	1 1/2	3 PC
72"	12	18"	39"	12"	87"	126"	1 1/3	3 PC
78"	12	18"	42"	12"	87"	132"	1 1/4	3 PC
84"	12	18"	45"	12"	87"	138"	1 1/6	3 PC

NOTES:

- ALL 3 PIECE BODIES TO HAVE 12 GA SIDES AND 10 GA CENTER PANELS WIDTH OF CENTER PANELS TO BE GREATER THAN 20% OF THE PIPE PERIPHERY MULTIPLE PANEL BODIES TO HAVE LAP SEAMS WHICH ARE TO BE TIGHTLY JOINED BY 3/8" Ø GALVANIZED RIVETS OR BOLTS.
- FOR 60" THRU 84" SIZES, REINFORCED EDGES TO BE SUPPLEMENTED WITH GALVANIZED STIFFENER ANGLES. THE ANGLES WILL BE 2"x2"x1/4" FOR 60" THRU 72" DIAMETER AND 2 1/2"x2 1/2"x1/4" FOR 78" AND 84" DIAMETER. THE ANGLES TO BE ATTACHED BY 3/8" Ø GALVANIZED NUTS AND BOLTS.
- TOE PLATE SHALL BE USED WHEN SPECIFIED ON THE PLANS. COST OF TOE PLATE TO BE INCLUDED IN BID PRICE PER EACH OF METAL END SECTION.
- TYPE 3 CONNECTION INCLUDES ONE FOOT OF PIPE LENGTH FOR 42" THRU 84" DIAMETER AS A CONNECTOR SECTION. THE CONNECTOR SECTION WILL BE ATTACHED TO THE END SECTION BY GALVANIZED RIVETS OR BOLTS.

	APPROVED: HEAD, BUREAU OF WATER AND WASTEWATER	CITY OF BALTIMORE DEPARTMENT OF PUBLIC WORKS BUREAU OF WATER AND WASTEWATER	ISSUED	REVISED	REVISED
	 DIRECTOR, DEPARTMENT OF PUBLIC WORKS		3 / 2008		
METAL END SECTION CIRCULAR PIPE			STANDARD NO. BC 370.02		
			SCALE : NONE		SHEET 1 OF 2