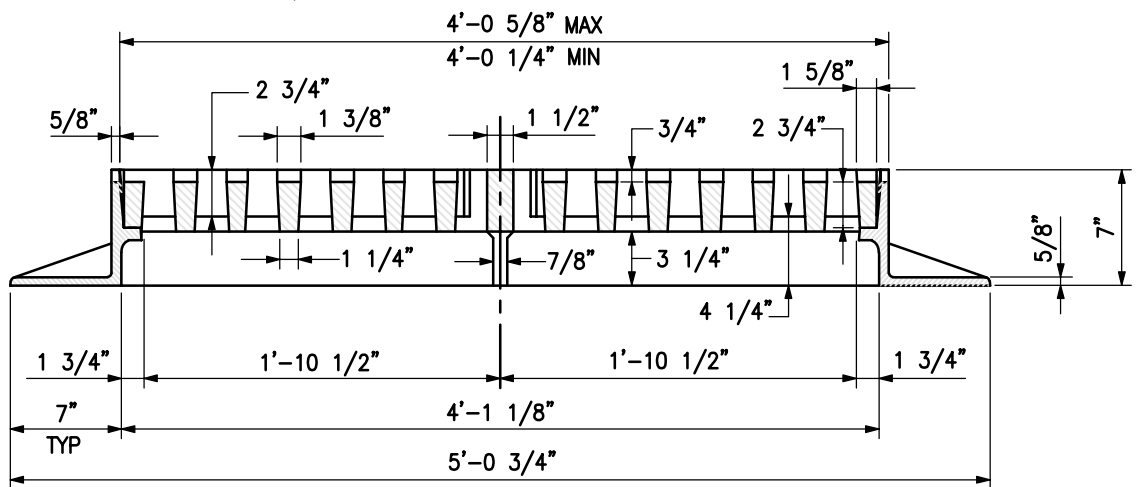


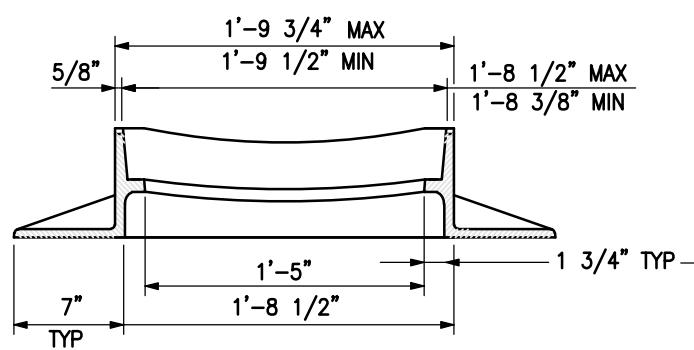
FOR USE IN ALLY OR NON-CURB APPLICATIONS. SEE SECTION B-B MODIFIED FOR CURB APPLICATION

FRAME TO BE CAST WITH FLANGE CUT ON THIS LINE WHEN DIRECTED

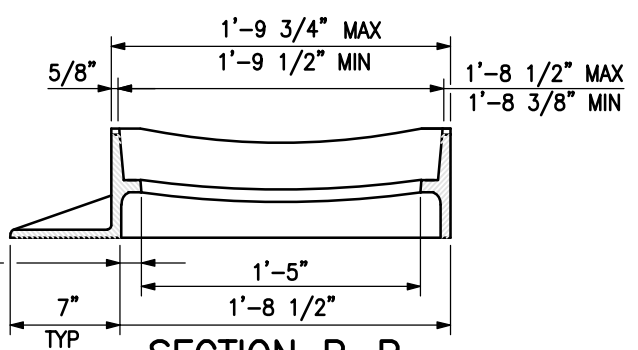
PLAN




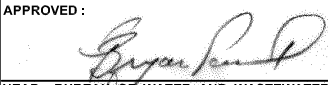

SECTION A-A



SECTION B-B



SECTION B-B MODIFIED

	APPROVED:  HEAD, BUREAU OF WATER AND WASTEWATER	CITY OF BALTIMORE DEPARTMENT OF PUBLIC WORKS BUREAU OF WATER AND WASTEWATER	ISSUED	REVISED	REVISED
	 DIRECTOR, DEPARTMENT OF PUBLIC WORKS		3 / 2008		
	TYPE NO. 1 'E' GRATE(S) AND FRAME		STANDARD NO. BC 376.01		
			SCALE : NONE	SHEET 1 OF 1	