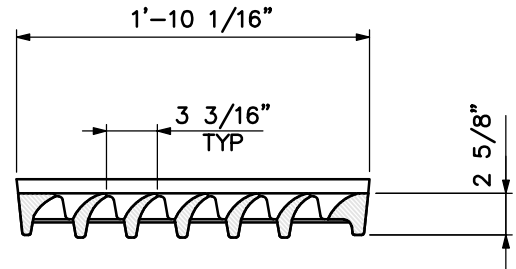
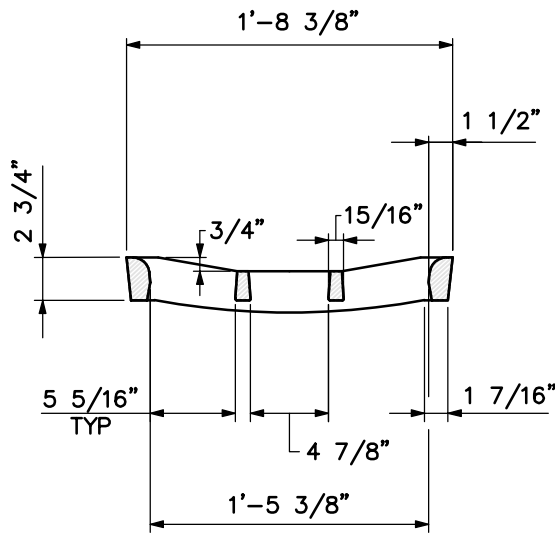


PLAN




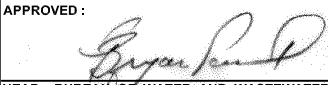

SECTION A-A



SECTION B-B

NOTES:

1. GRATE(S) SHALL SIT SQUARE UPON FRAME SUPPORTS WITHOUT ROCKING OR SHIFTING UNDER LOAD. GRATE SHALL MEET OR EXCEED AASHTO M306 PROOF LOAD REQUIREMENTS.
2. MATERIAL: GRAY IRON CASTINGS AASHTO DESIGNATION M105-06.
3. WEIGHT: GRATE APPROXIMATELY 140 LBS.

	APPROVED: 	CITY OF BALTIMORE DEPARTMENT OF PUBLIC WORKS BUREAU OF WATER AND WASTEWATER	ISSUED	REVISED	REVISED
	HEAD, BUREAU OF WATER AND WASTEWATER 		3 / 2008		
CURVED VANE (E-CV) GRATE(S) FOR EXISTING TYPE NO. 1 'E' FRAME			STANDARD NO. BC 376.03		
			SCALE: NONE	SHEET 1 OF 1	