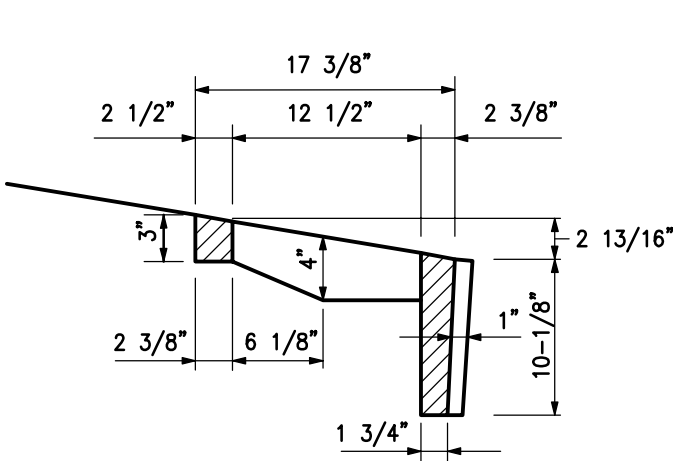
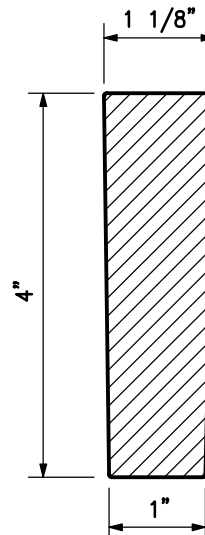


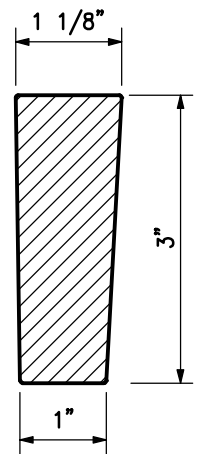
PLAN



SECTION A-A



SECTION B-B
HALF SIZE



SECTION C-C
HALF SIZE



APPROVED:

[Signature]
HEAD, BUREAU OF WATER AND WASTEWATER

[Signature]
DIRECTOR, DEPARTMENT OF PUBLIC WORKS

CITY OF BALTIMORE
DEPARTMENT OF PUBLIC WORKS
BUREAU OF WATER AND WASTEWATER

TYPE NO. 2
'H' GRATE

| | | |
|-----------------------------------|---------|--------------|
| ISSUED | REVISED | REVISED |
| 3 / 2008 | | |
| STANDARD NO. BC 376.62 | | |
| SCALE : NONE | | SHEET 1 OF 1 |