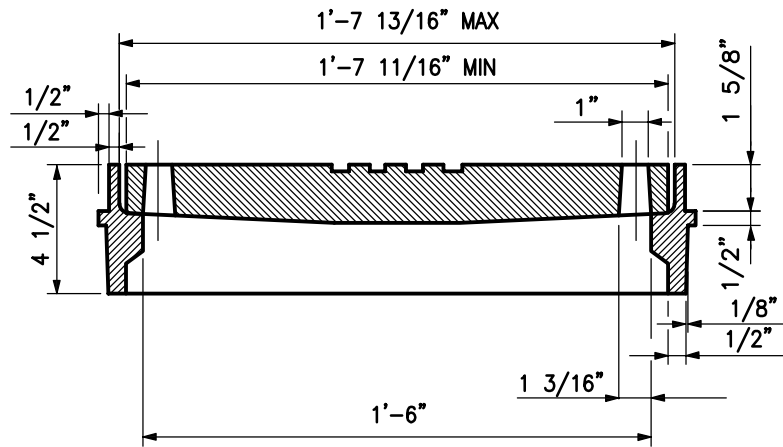


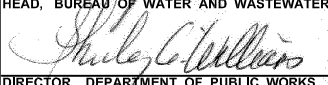


PLAN



SECTION A-A

| | | | | | |
|---|---|--|---|--------------|---------|
|  | APPROVED :  HEAD, BUREAU OF WATER AND WASTEWATER | CITY OF BALTIMORE DEPARTMENT OF PUBLIC WORKS BUREAU OF WATER AND WASTEWATER 18 IN. INLET FRAME AND COVER | ISSUED | REVISED | REVISED |
| |  DIRECTOR, DEPARTMENT OF PUBLIC WORKS | | 3 / 2008 | | |
| | | | STANDARD NO. BC 376.93 | | |
| | | | SCALE : NONE | SHEET 1 OF 1 | |