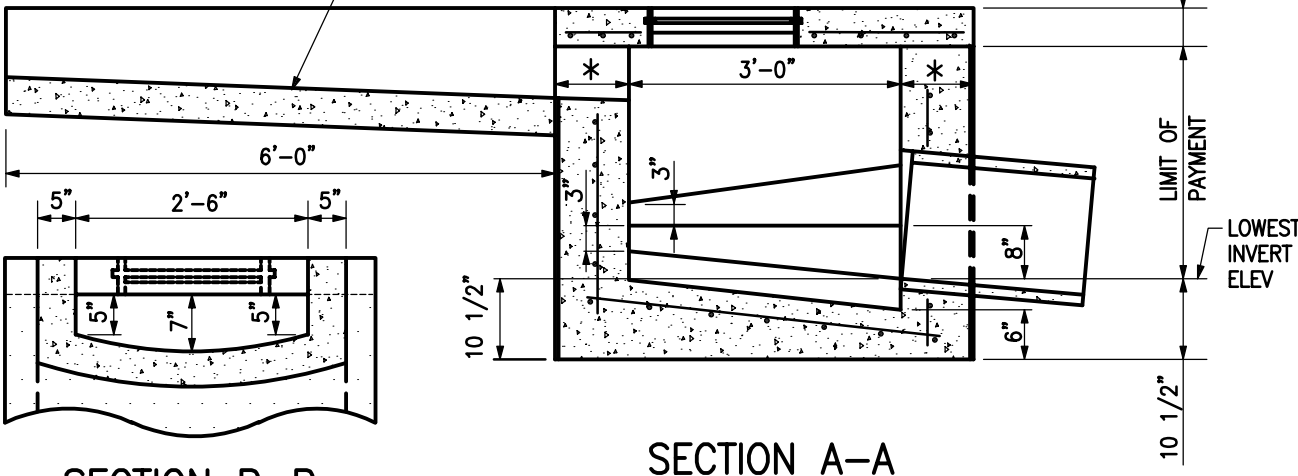
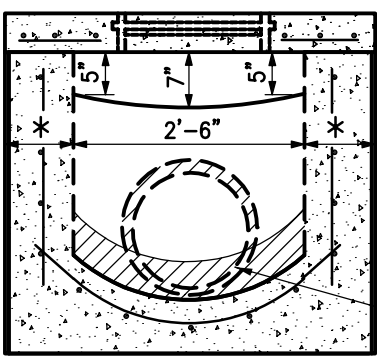


NOTE: TRANSITION 5" CONCRETE GUTTER FROM THE PROPOSED DITCH SECTION TO MEET SECTION B-B AT THE INLET IN SIX(6) FEET.



SECTION B-B


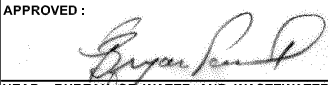



* SEE CHART FOR WALL THICKNESS

	PRECAST	CAST-IN-PLACE/BRICK
WALL THICKNESS	6" MIN	8 1/2"
REINF	2 LAYERS- 4x4 W4.0 x W4.0- WWF	NO. 4 BARS @ 6" CC EW 2" COVER
CONCRETE	MIX 6	MIX 3
ALLOWABLE DEPTH	DPW APPROVAL REQUIRED OVER 15'	

CEMENT MORTAR (FOR BRICK ONLY)

SEWER BRICK INVERT TO SLOPE AT LEAST 2" PER FOOT

	APPROVED:  HEAD, BUREAU OF WATER AND WASTEWATER	CITY OF BALTIMORE DEPARTMENT OF PUBLIC WORKS BUREAU OF WATER AND WASTEWATER	ISSUED	REVISED	REVISED
	 DIRECTOR, DEPARTMENT OF PUBLIC WORKS		3 / 2008		
TYPE 'J' CHUTE INLET			STANDARD NO. BC 377.12		
			SCALE: NONE		SHEET 1 OF 1