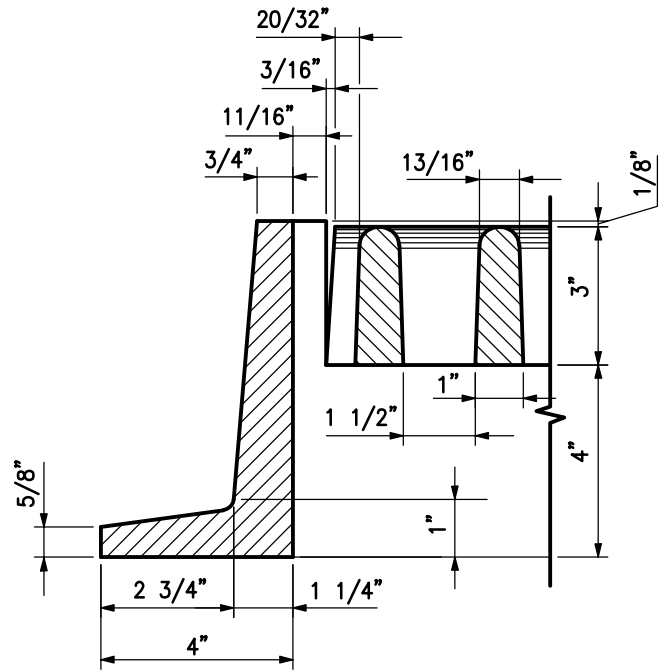
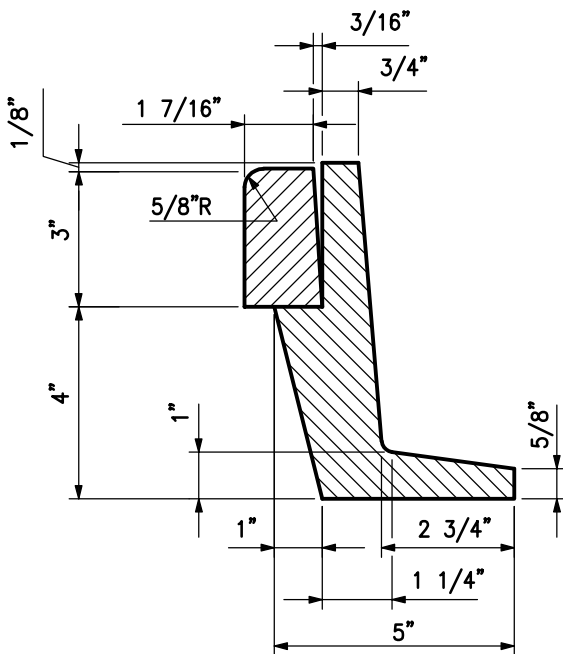


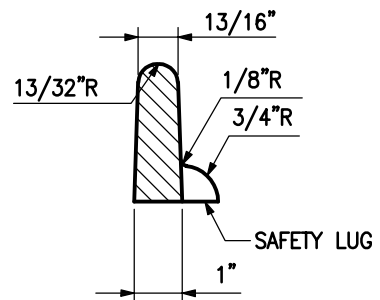
SECTION A-A



SECTION B-B





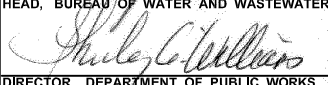
SECTION C-C



SECTION D-D

NOTE:

FOR PLAN VIEW OF THESE SECTIONS, SEE BC 380.02.

	APPROVED: 	CITY OF BALTIMORE DEPARTMENT OF PUBLIC WORKS BUREAU OF WATER AND WASTEWATER	ISSUED	REVISED	REVISED
	HEAD, BUREAU OF WATER AND WASTEWATER 		3 / 2008		
	DIRECTOR, DEPARTMENT OF PUBLIC WORKS		STANDARD NO. BC 380.03		
			SCALE: NONE	SHEET 1 OF 1	