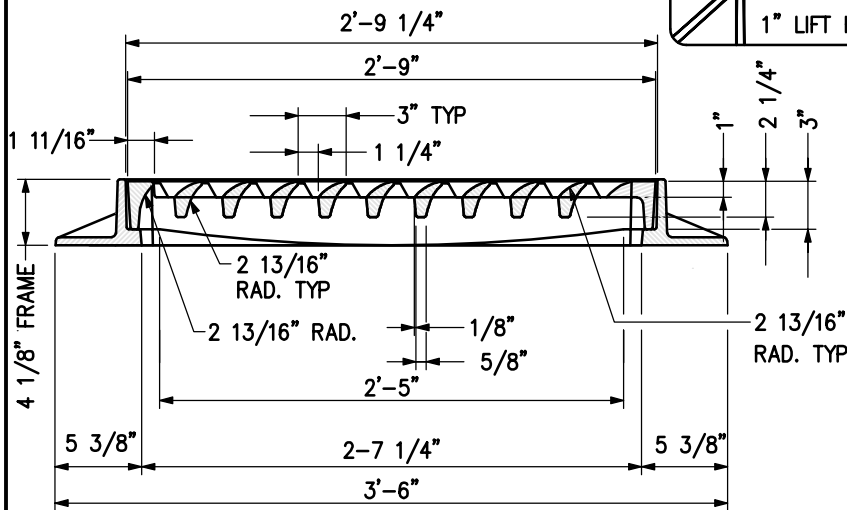
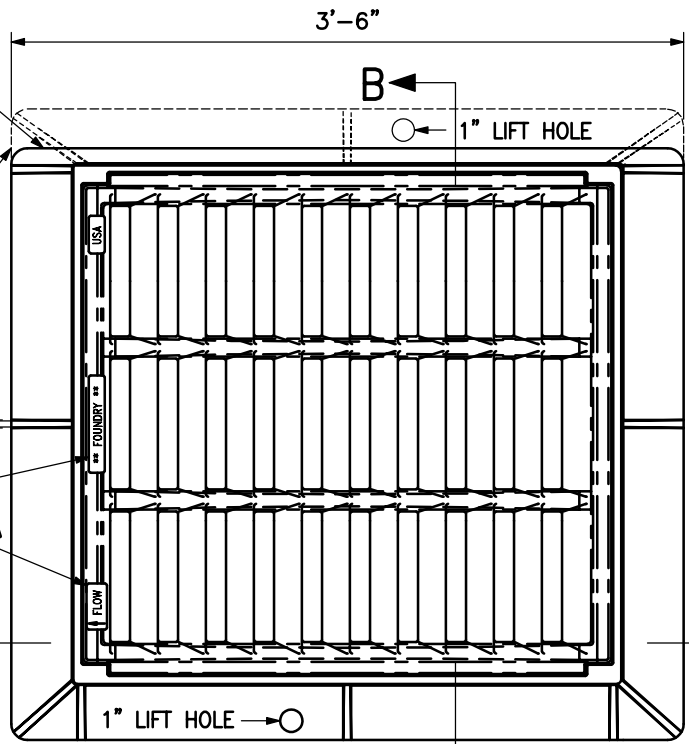


REAR FLANGE FOR COMBINATION INLETS
(SEE DETAILS BC 380.02 AND BC 380.03)

GUSSETED REAR FLANGE FOR USE IN ALLEY
OR NON-CURB APPLICATIONS (SEE DETAILS
BC 380.01 AND BC 380.11)

PROVIDE FOUNDRY NAME AND FLOW
DIRECTION AS SHOWN IN 1/2"+ LETTERS

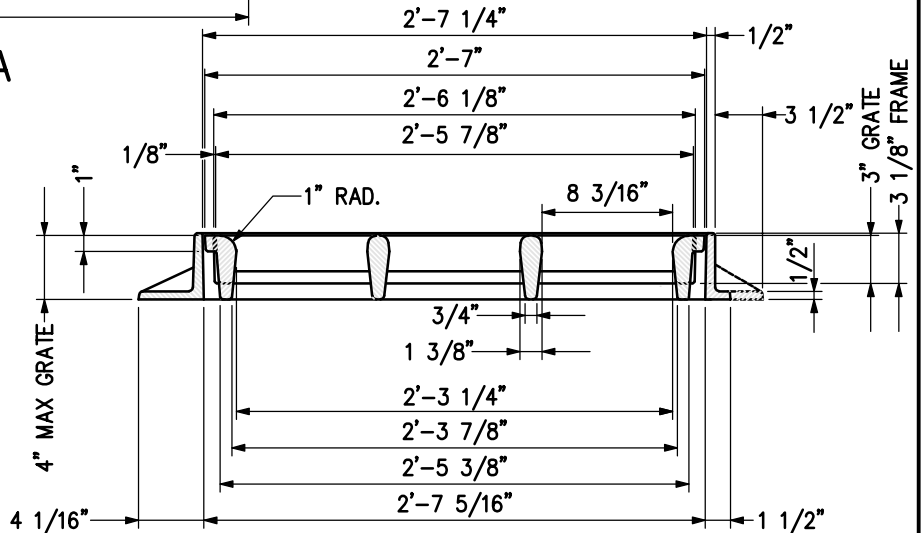
PLAN





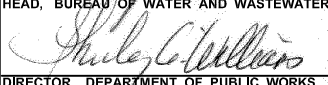
SECTION A-A

NOTES:

1. GRATE(S) SHALL SIT SQUARE UPON FRAME SUPPORTS WITHOUT ROCKING OR SHIFTING UNDER LOAD. GRATE SHALL MEET OR EXCEED AASHTO M 306 PROOF LOAD REQUIREMENTS.
2. MATERIAL: GRAY IRON CASTING AASHTO DESIGNATION M105-06.
3. WEIGHT: GRATE APPROX. 297 LBS., FRAME APPROX. 244 LBS.
4. FRAME: PER THIS DETAIL OR BC 380.02, AND BC 380.03.



SECTION B-B

	APPROVED: 	CITY OF BALTIMORE DEPARTMENT OF PUBLIC WORKS BUREAU OF WATER AND WASTEWATER	ISSUED 3 / 2008	REVISED	REVISED
	HEAD, BUREAU OF WATER AND WASTEWATER 	CURVED VANE (S-CV) GRATE WITH CLASS 35 TYPE 'S' FRAME NEW CONSTRUCTION	STANDARD NO. BC 380.06		SCALE: NONE