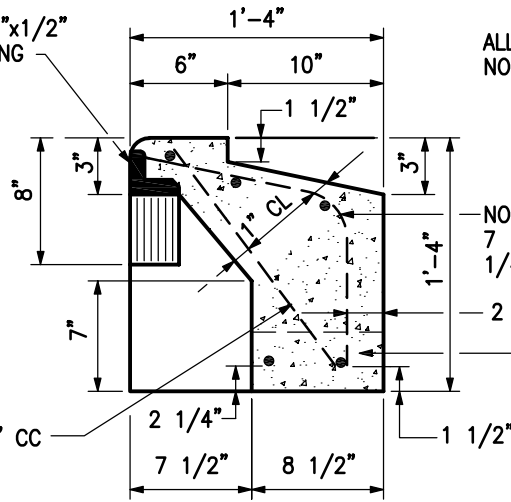


GALVANIZED
L 2 1/2"x2 1/2"x1/2"
x6'-10 1/2" LONG



ALL LONGITUDINAL BARS
NO. 4x6'-10 1/2" LONG (5 REQUIRED)

NO. 4 ANCHOR BARS, 24" CC 4 REQUIRED BEGINING
7 1/2" FROM ANGLE END. FASTENED TO ANGLE WITH
1/4" FILLET WELD ALL AROUND BEFORE GALVANIZING.

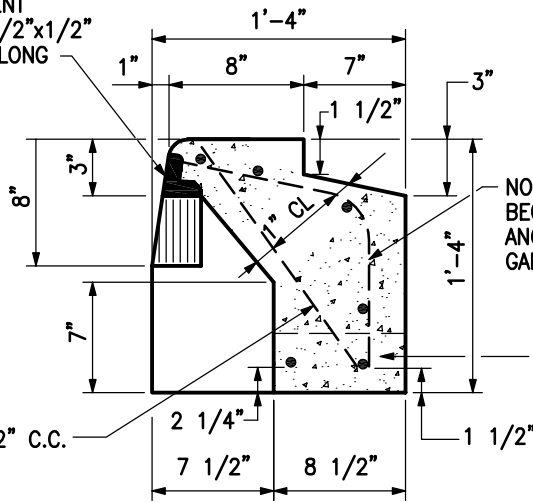
2 1/2" CL

MIX 3 CONCRETE

NO. 4 - 12" CC

SECTION A-A
(VERTICAL FACE)

GALVANIZED BENT
L 2 1/2"x2 1/2"x1/2"
x6'-10 1/2" LONG



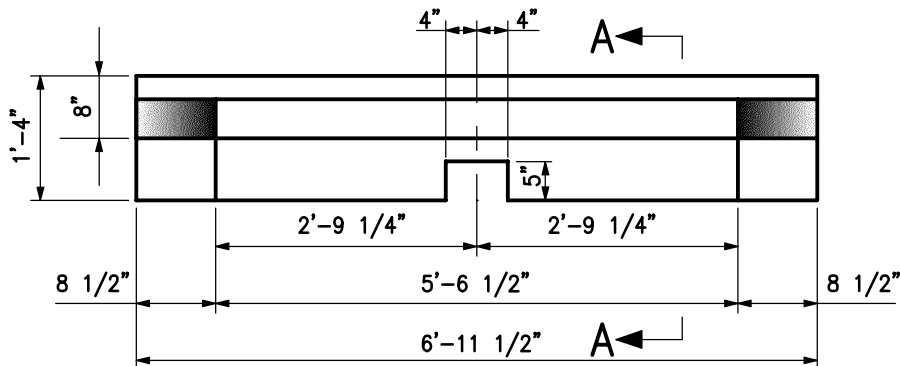
ALL LONGITUDINAL BARS
NO. 4 - 6'-10" LONG (5 REQUIRED)

NO. 4 ANCHOR BARS, 24" CC - 4 REQUIRED
BEGINING 7 1/2" FROM ANGLE END. FASTENED TO
ANGLE WITH 1/4" FILLET WELD ALL AROUND BEFORE
GALVANIZING.

MIX 3 CONCRETE

NO. 4 - 12" C.C.

SECTION A-A
(BATTERED FACE)



ELEVATION



APPROVED:

[Signature]
HEAD, BUREAU OF WATER AND WASTEWATER
[Signature]
DIRECTOR, DEPARTMENT OF PUBLIC WORKS

CITY OF BALTIMORE
DEPARTMENT OF PUBLIC WORKS
BUREAU OF WATER AND WASTEWATER

PRECAST SPECIAL CURB TYPE 'S'
COMBINATION INLET
DOUBLE GRATE TANDEM

ISSUED	REVISED	REVISED
3 / 2008		

STANDARD NO.
BC 380.52

SCALE: NONE

SHEET 1 OF 1