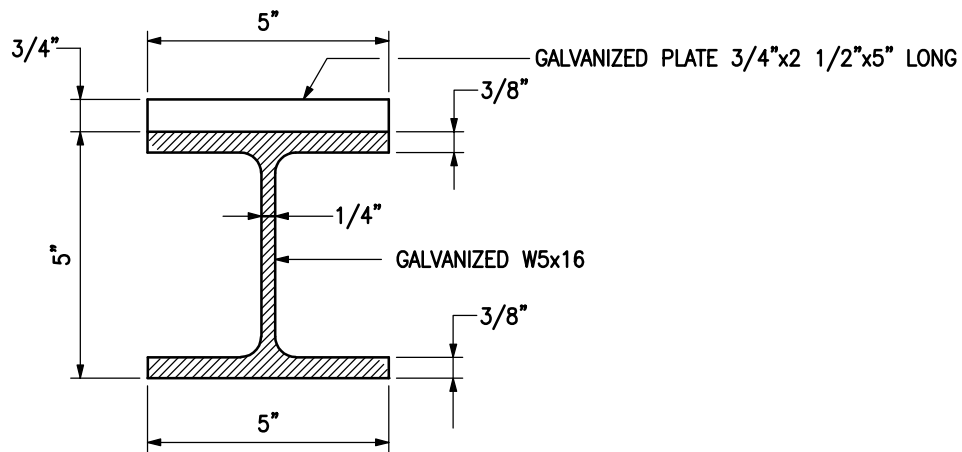


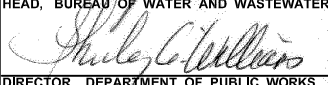


ELEVATION



SECTION A-A

	APPROVED :  HEAD, BUREAU OF WATER AND WASTEWATER	CITY OF BALTIMORE DEPARTMENT OF PUBLIC WORKS BUREAU OF WATER AND WASTEWATER	ISSUED	REVISED	REVISED
	 DIRECTOR, DEPARTMENT OF PUBLIC WORKS		3 / 2008		
BEAM AND PLATE DETAIL TYPE 'S' COMBINATION INLET DOUBLE GRATE TANDEM			STANDARD NO. BC 380.53		
			SCALE : NONE	SHEET 1 OF 1	