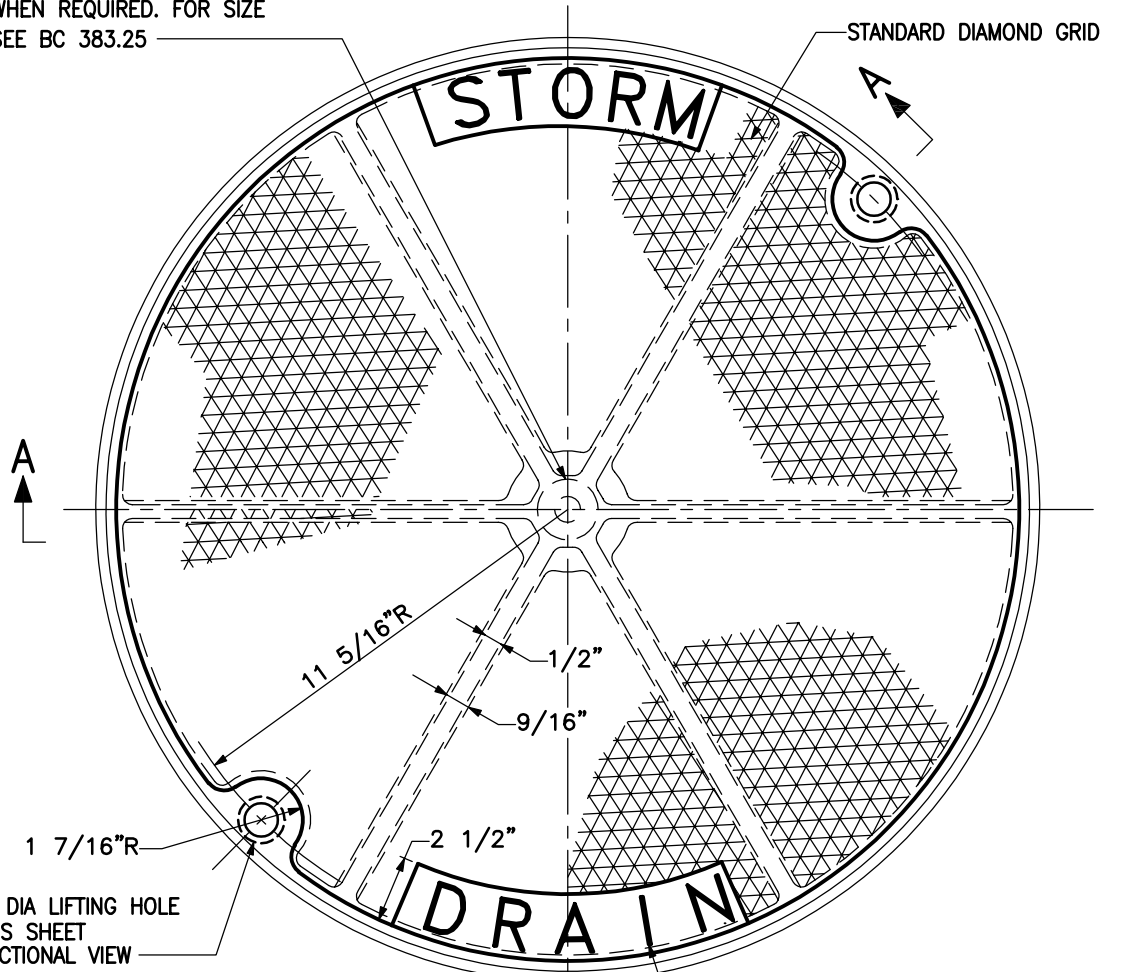


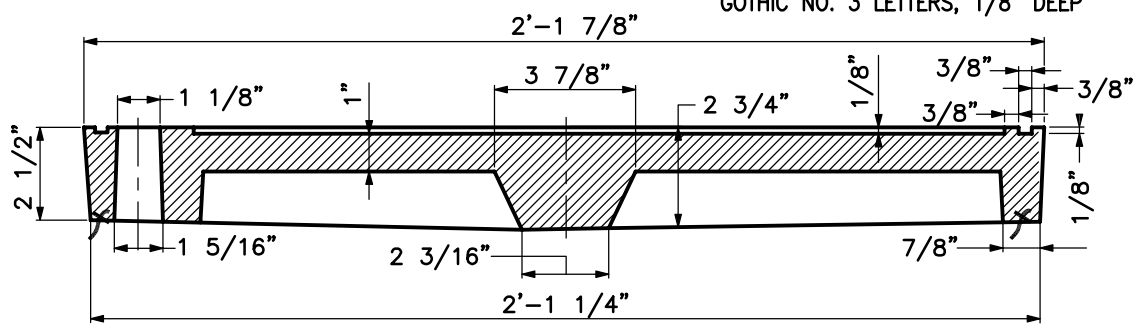
PROVIDE HOLE FOR LOCKING BOLT
WHEN REQUIRED. FOR SIZE
SEE BC 383.25



$1\ 1/8''$ DIA LIFTING HOLE
SEE THIS SHEET
FOR SECTIONAL VIEW

PLAN



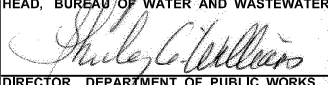
$1\ 3/4''$ STANDARD FLAT FACE
GOTHIC NO. 3 LETTERS, $1/8''$ DEEP



SECTION A-A

NOTES:

1. FOR STD 24" MANHOLE FRAME SEE BC 383.22
2. MATERIAL SHALL BE CAST GRAY IRON ASTM A-48, CLASS 35B
3. COVER SHALL MEET OR EXCEED AASHTO M 306 PROOF LOAD REQUIREMENTS.

	APPROVED:  HEAD, BUREAU OF WATER AND WASTEWATER	CITY OF BALTIMORE DEPARTMENT OF PUBLIC WORKS BUREAU OF WATER AND WASTEWATER	ISSUED	REVISED	REVISED
	 DIRECTOR, DEPARTMENT OF PUBLIC WORKS		3 / 2008		
STANDARD 24 IN. MANHOLE COVER			STANDARD NO. BC 383.21		
			SCALE: NONE	SHEET 1 OF 1	