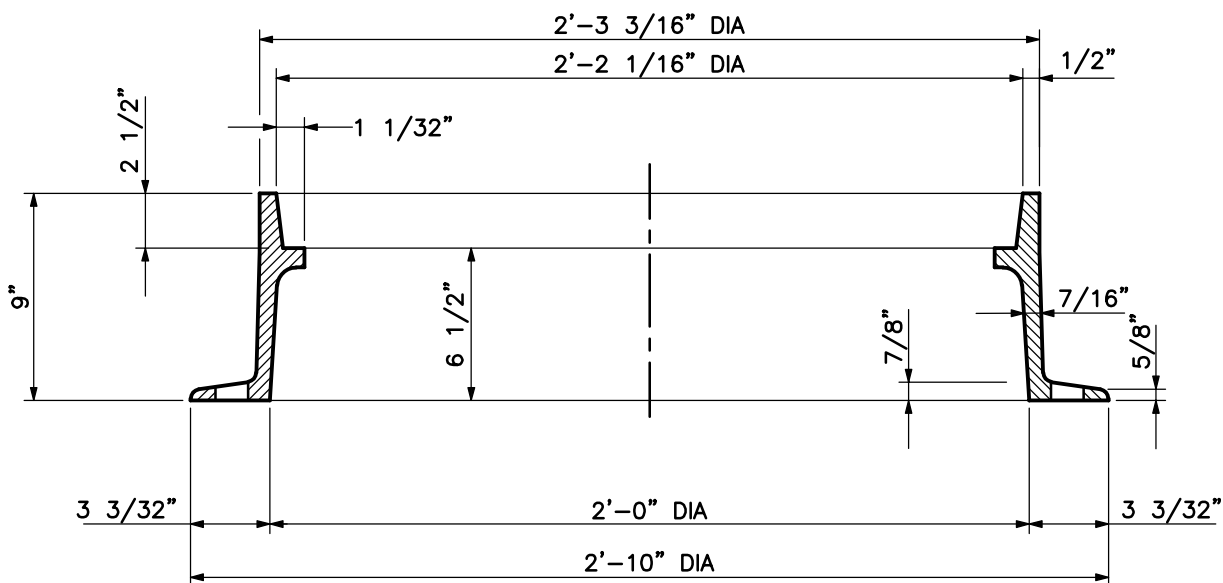



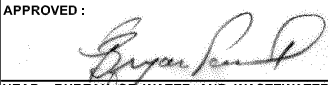

PARTIAL PLAN



SECTION

NOTES:

1. FOR 24" LOCK TYPE FRAME SEE BC 383.25
2. FOR STD 24" MANHOLE COVER SEE BC 383.21
3. MATERIAL SHALL BE CAST GRAY IRON ASTM A-48, CLASS 35B
4. FRAME SHALL MEET OR EXCEED AASHTO M 306 PROOF LOAD REQUIREMENTS.

	APPROVED: 	CITY OF BALTIMORE DEPARTMENT OF PUBLIC WORKS BUREAU OF WATER AND WASTEWATER	ISSUED	REVISED	REVISED	
	HEAD, BUREAU OF WATER AND WASTEWATER 		3 / 2008			
	DIRECTOR, DEPARTMENT OF PUBLIC WORKS	STANDARD 24 IN. MANHOLE FRAME	STANDARD NO. BC 383.22			SCALE: NONE