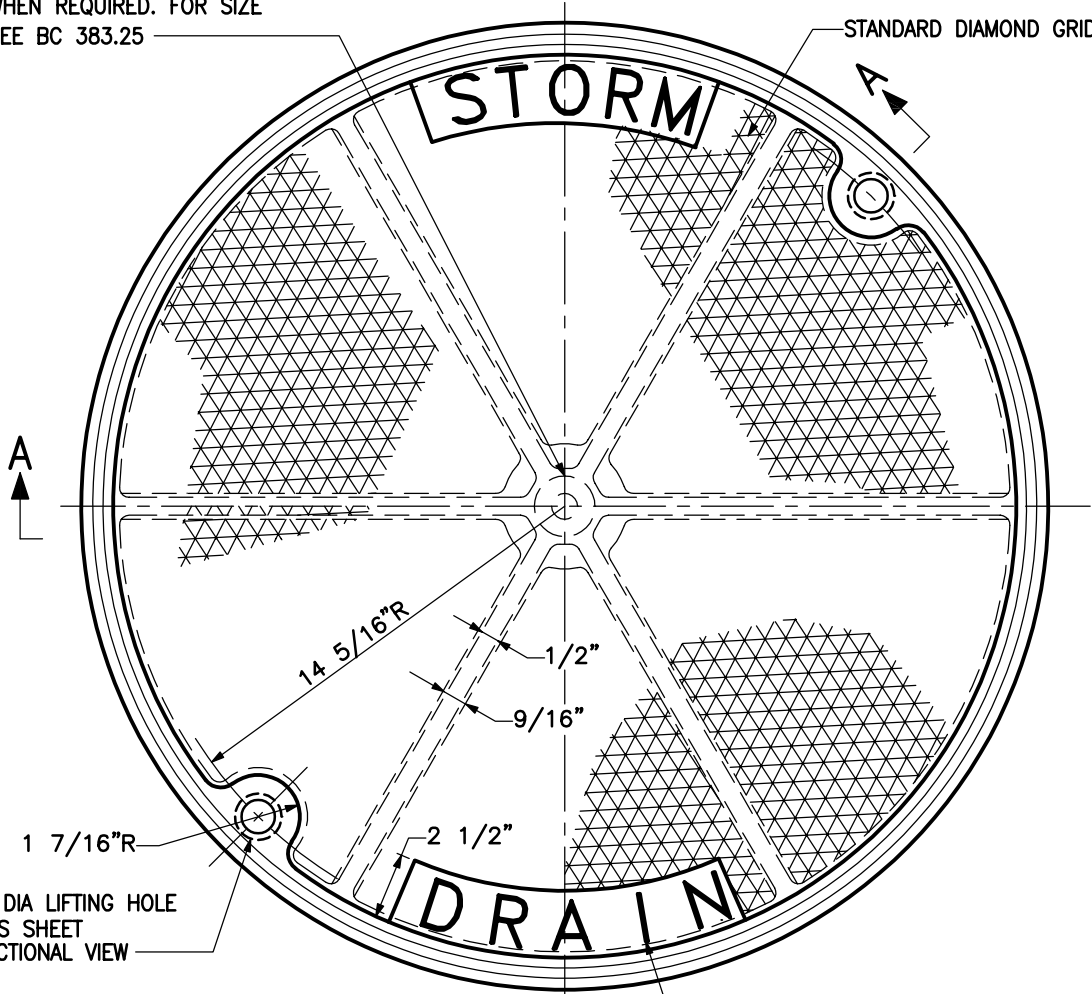


PROVIDE HOLE FOR LOCKING BOLT
WHEN REQUIRED. FOR SIZE
SEE BC 383.25

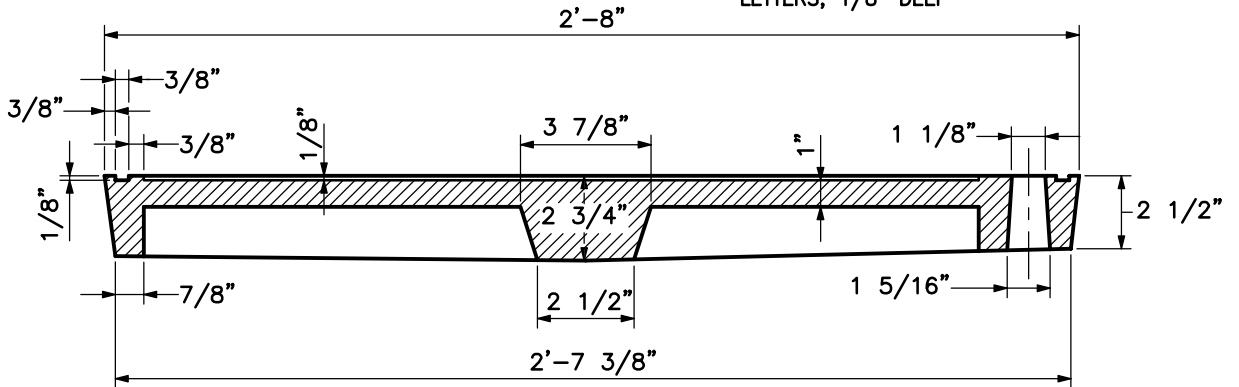
STANDARD DIAMOND GRID



1 7/16"R
1 1/8" DIA LIFTING HOLE
SEE THIS SHEET
FOR SECTIONAL VIEW

PLAN

1 3/4" STANDARD FLAT
FACE GOTHIC NO. 3
LETTERS, 1/8" DEEP



SECTION A-A

NOTES:

1. FOR STD 30" MANHOLE FRAME SEE BC 383.24
2. MATERIAL SHALL BE CAST GRAY IRON ASTM A-48, CLASS 35B
3. COVER SHALL MEET OR EXCEED AASHTO M 306 PROOF LOAD REQUIREMENTS.



APPROVED:
[Signature]
HEAD, BUREAU OF WATER AND WASTEWATER
[Signature]
DIRECTOR, DEPARTMENT OF PUBLIC WORKS

CITY OF BALTIMORE
DEPARTMENT OF PUBLIC WORKS
BUREAU OF WATER AND WASTEWATER

STANDARD 30 IN.
MANHOLE COVER

ISSUED	REVISED	REVISED
3 / 2008		

STANDARD NO.
BC 383.23

SCALE : NONE

SHEET 1 OF 1