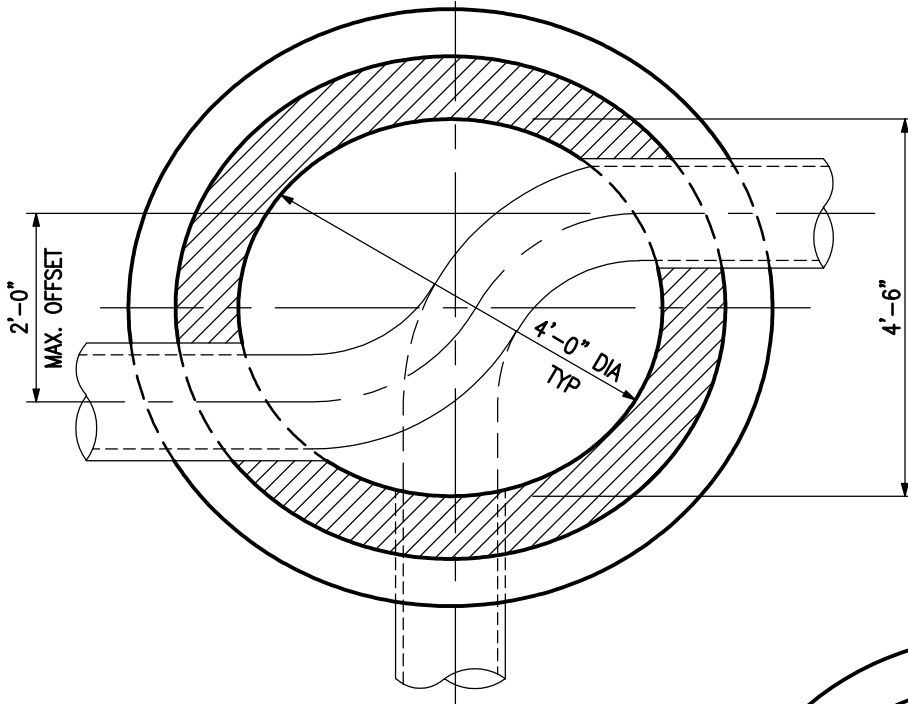
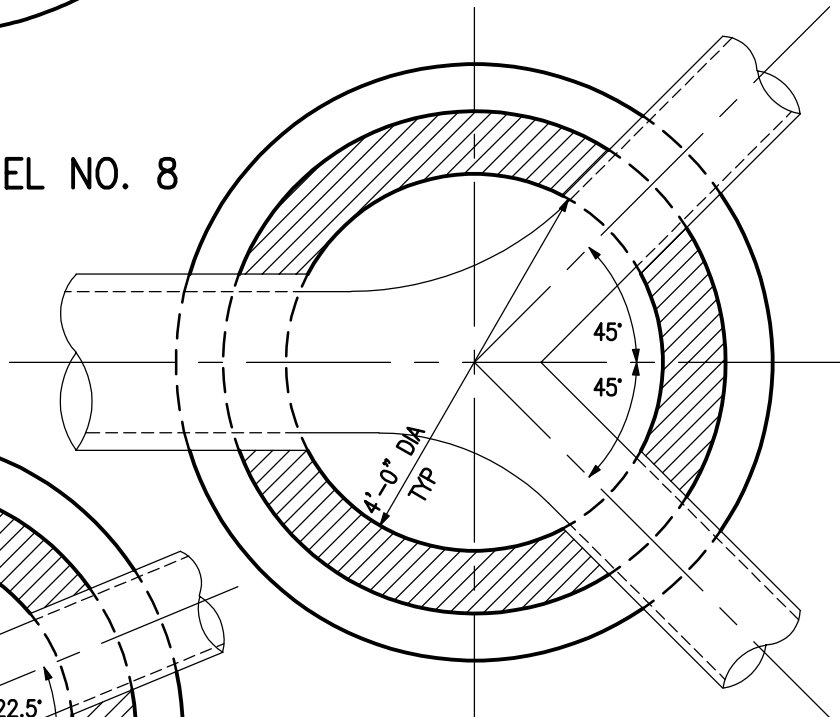


NOTE:

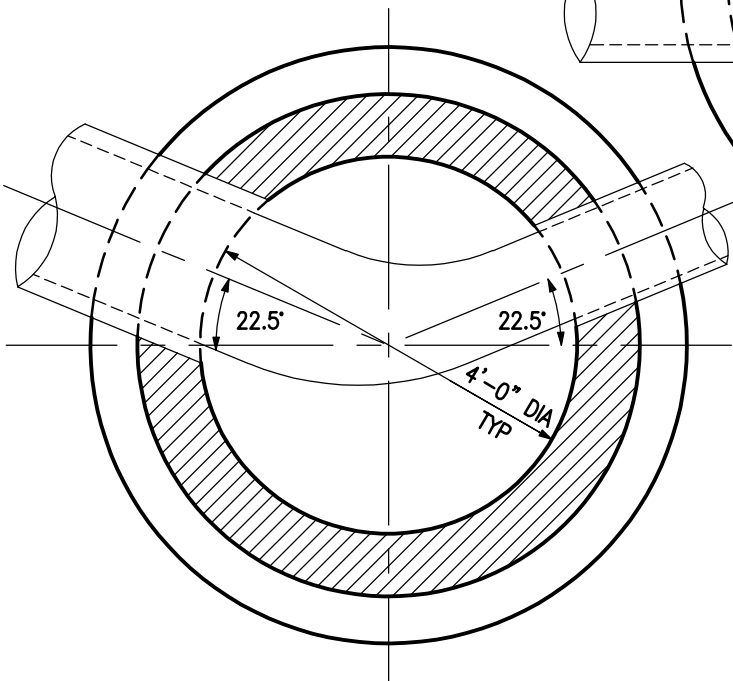
BENCH HEIGHT ABOVE OUTGOING PIPE
INVERT TO BE EQUAL TO DIAMETER OF
OUTGOING PIPE





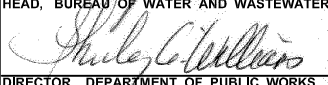
STANDARD CHANNEL NO. 8



STANDARD CHANNEL NO. 9



STANDARD CHANNEL NO.10

	APPROVED :  HEAD, BUREAU OF WATER AND WASTEWATER	CITY OF BALTIMORE DEPARTMENT OF PUBLIC WORKS BUREAU OF WATER AND WASTEWATER TYPICAL MANHOLE CHANNELS STANDARD CHANNEL NO. 8 STANDARD CHANNEL NO. 9 STANDARD CHANNEL NO. 10	ISSUED	REVISED	REVISED
	 DIRECTOR, DEPARTMENT OF PUBLIC WORKS		3 / 2008		
	STANDARD NO. BC 383.34			SCALE : NONE	SHEET 1 OF 1