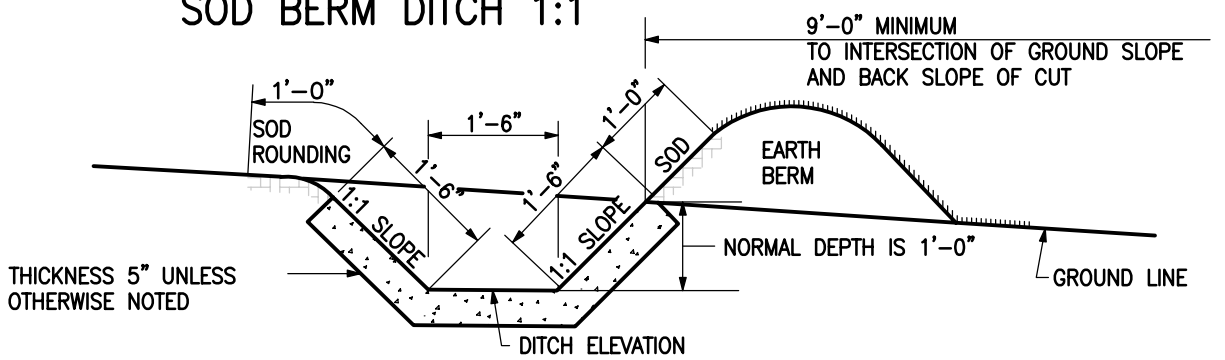
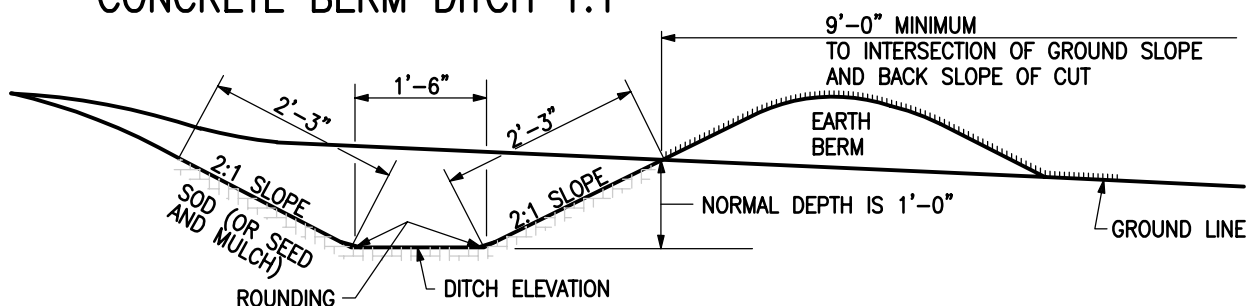


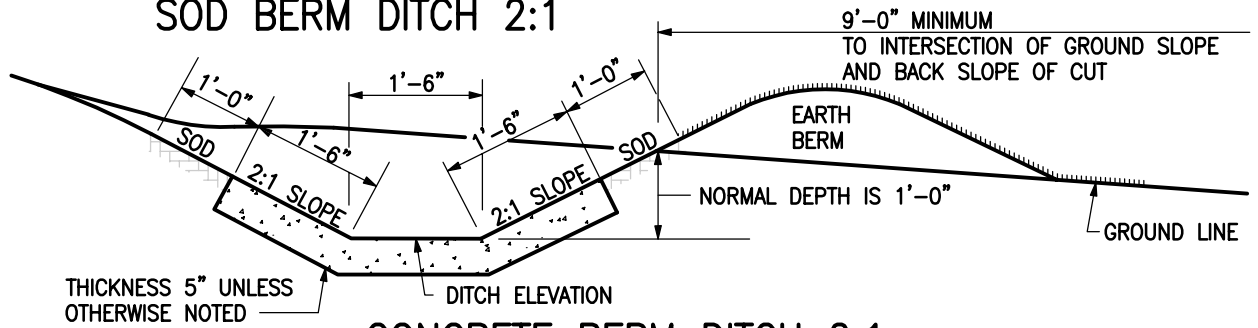
SEED AND MULCH BERM DITCH 1:1
SOD BERM DITCH 1:1



CONCRETE BERM DITCH 1:1




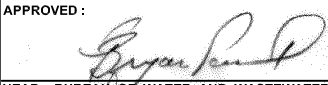

SEED AND MULCH BERM DITCH 2:1
SOD BERM DITCH 2:1



CONCRETE BERM DITCH 2:1

NOTES:

1. DITCH ELEVATIONS AS NOTED ON PLANS.
2. 2" TOP SOIL AND SEED AND MULCH ALL CONSTRUCTION SLOPES NOT OTHERWISE TREATED.
3. WHERE DITCH LOCATION IS OTHER THAN SHOWN, DISTANCE FROM DITCH C_Q TO A REFERENCE POINT SHALL BE INDICATED ON THE PLANS.
4. EARTH BERM TO BE CONSTRUCTED FROM DITCH EXCAVATION AND COMPACTED AS DIRECTED BY THE ENGINEER. THIS WILL NOT BE A PAY ITEM.
5. ALL SOD TO BE PLACED PER SPECIFICATION SECTION 32 92 23 SODDING.
6. CONCRETE SHALL BE MIX 6.

	APPROVED:  HEAD, BUREAU OF WATER AND WASTEWATER	CITY OF BALTIMORE DEPARTMENT OF PUBLIC WORKS BUREAU OF WATER AND WASTEWATER	ISSUED	REVISED	REVISED
	 DIRECTOR, DEPARTMENT OF PUBLIC WORKS		3 / 2008		
STANDARD BERM DITCHES CONCRETE AND SOD			STANDARD NO. BC 389.01		
			SCALE: NONE		SHEET 1 OF 1