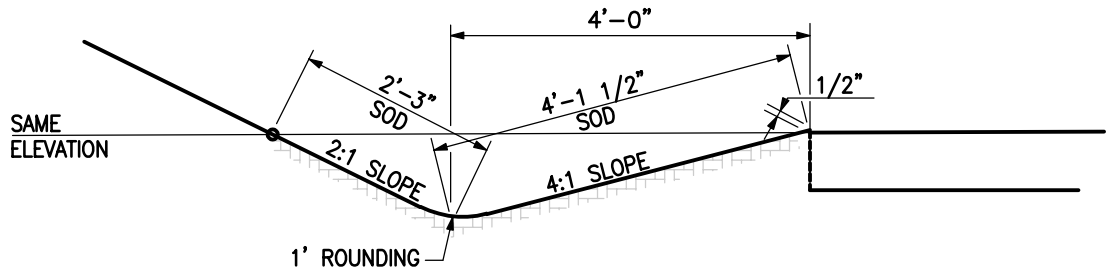
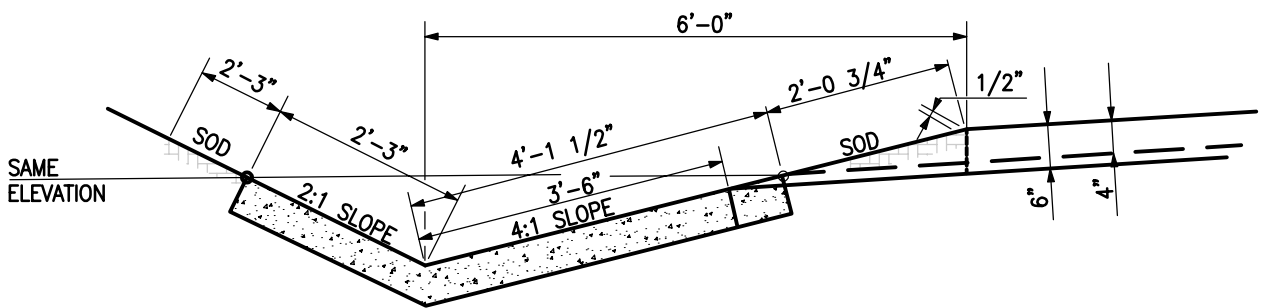


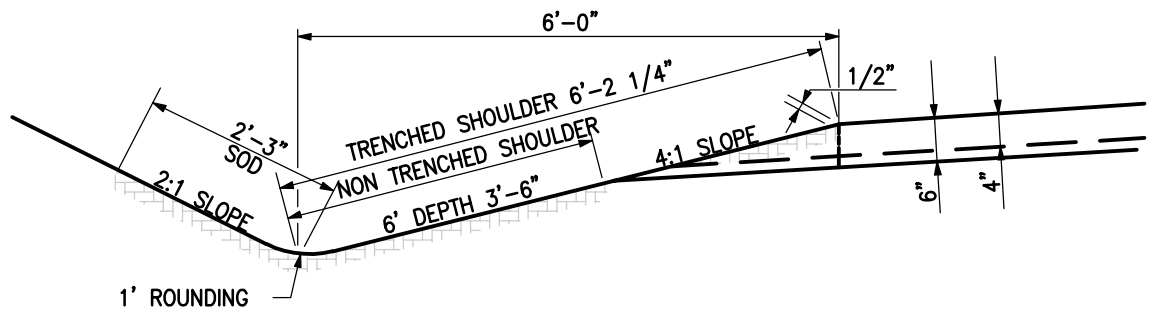
CONCRETE SURFACE DRAIN DITCH



SOD SURFACE DRAIN DITCH




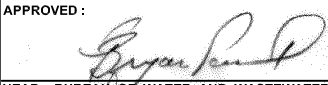

CONCRETE SURFACE DRAIN DITCH



SOD SURFACE DRAIN DITCH

NOTES:

1. CONCRETE TO BE EXTENDED AS REQUIRED WHERE DEPTH OF FLOW IN DITCH EXCEEDS LIMIT OF CONCRETE AS INDICATED ABOVE.
2. OMIT SOD STRIP ON SHOULDER SIDE OF DITCH OF NON-TRENCHED SHOULDERS.
3. ALL SOD TO BE PLACED PER SPECIFICATION SECTION 32 92 23 SODDING.
4. CONCRETE SHALL BE MIX 2.

	APPROVED:  HEAD, BUREAU OF WATER AND WASTEWATER	CITY OF BALTIMORE DEPARTMENT OF PUBLIC WORKS BUREAU OF WATER AND WASTEWATER	ISSUED	REVISED	REVISED
	 DIRECTOR, DEPARTMENT OF PUBLIC WORKS		3 / 2008		
STANDARD SIZE DITCHES-V SLOPE			STANDARD NO. BC 389.02		
			SCALE: NONE		SHEET 1 OF 1