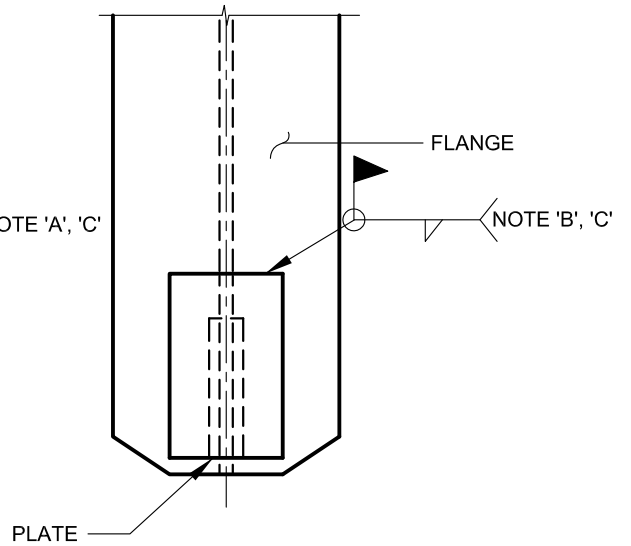
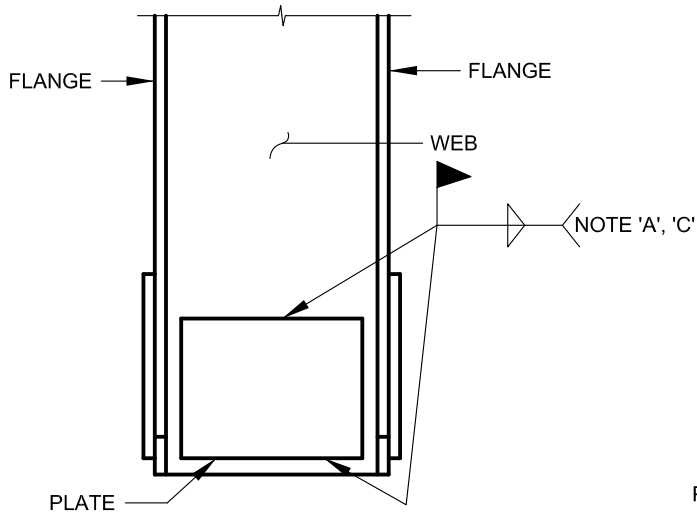


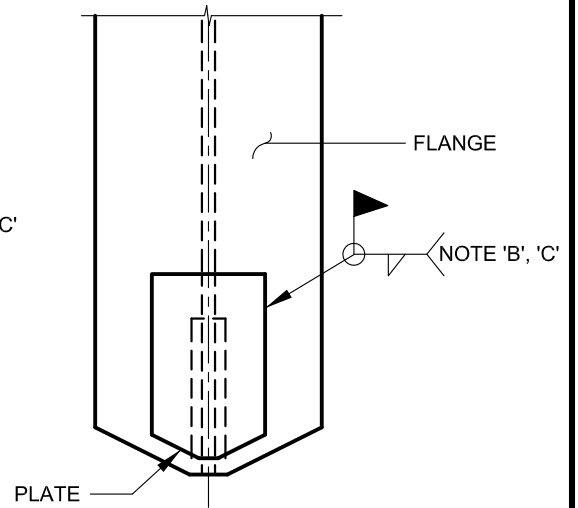
SIDE ELEVATION



FRONT ELEVATION



SIDE ELEVATION



FRONT ELEVATION

- NOTE 'A': WEB PLATES WELDED TOP AND BOTTOM EDGES ONLY.
 NOTE 'B': FLANGE PLATES WELDED ALL AROUND.
 NOTE 'C': FILLET WELD MIN. SIZE=THICKNESS OF PLATE.



APPROVED:
Primal Devita
 DIVISION CHIEF, TRANSPORTATION ENGINEERING
 AND CONSTRUCTION
Khalil Zare
 DIRECTOR, DEPARTMENT OF TRANSPORTATION

CITY OF BALTIMORE
 DEPARTMENT OF TRANSPORTATION
 TRANSPORTATION ENGINEERING AND
 CONSTRUCTION

**REINFORCED 'H' PILE
 TIP DETAILS**

ISSUED	REVISED	REVISED
8 / 2010		
STANDARD NO. BC 418.03		
SCALE: NONE	SHEET 1 OF 1	