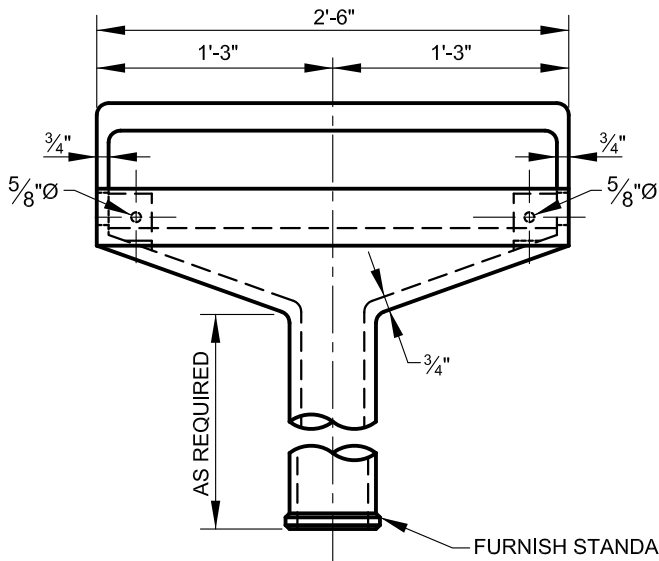
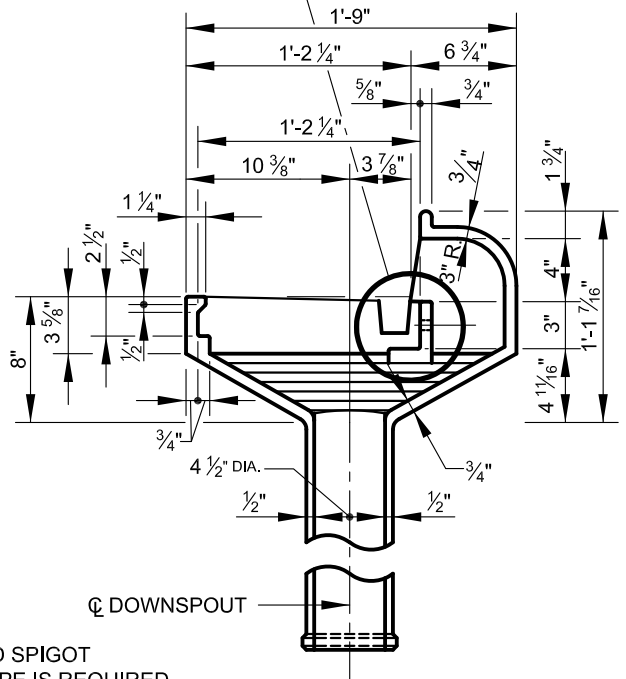
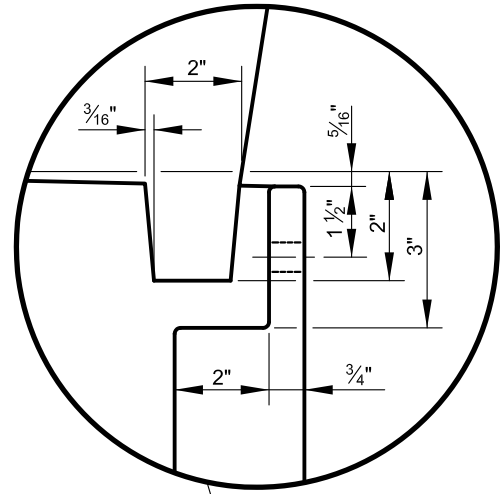


PLAN



ELEVATION



SECTION A-A

STANDARD SCUPPER TYPE 'D'
 FOR GENERAL NOTES AND GRATING DETAILS
 SEE STANDARD NO. BC 437.03



APPROVED:
Bimal DeWaha
 DIVISION CHIEF, TRANSPORTATION ENGINEERING
 AND CONSTRUCTION
Khalil Zare
 DIRECTOR, DEPARTMENT OF TRANSPORTATION

CITY OF BALTIMORE
DEPARTMENT OF TRANSPORTATION
TRANSPORTATION ENGINEERING AND
CONSTRUCTION

STANDARD SCUPPER
TYPE 'D'

ISSUED	REVISED	REVISED
8 / 2010		
STANDARD NO. BC 437.02		
SCALE: NONE	SHEET 1 OF 1	