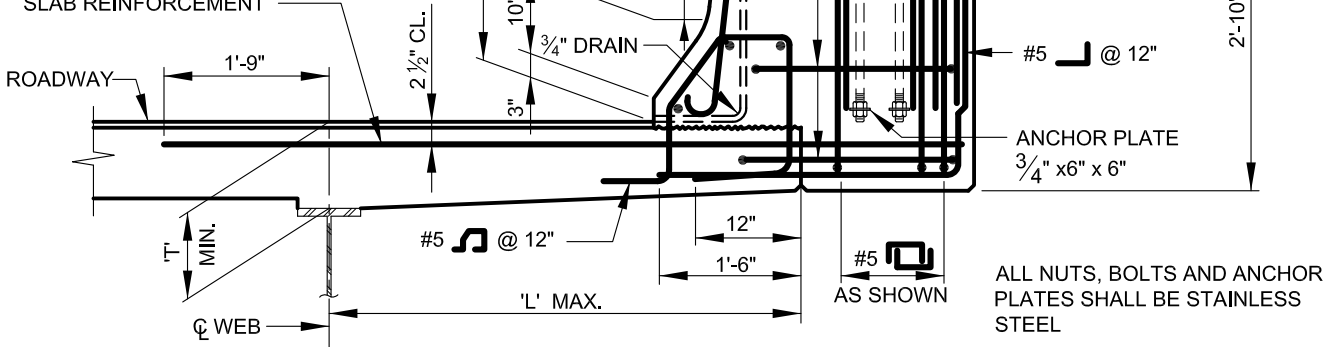


ANCHOR BOLTS			
POLE "HT"	DIA. "D"	CIRCLE "C"	SPACE "S"
30'	1"	11"	7 3/4"
40'	1 1/4"	15"	10 5/8"

'L' MAX.	'T' MIN.	'A' MAX.
3.0'	8.5"	8 1/2"
4.0'	10.0"	6"
5.0'	11.5"	5"


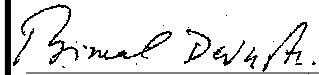
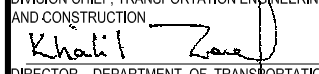
#5 @ 'A' ADDITIONAL BARS TO BE BUNDLED WITH NORMAL SLAB REINFORCEMENT



NOTE:
1. ALL REINFORCING STEEL SHALL BE EPOXY COATED.

PLAN

SECTION A-A

	APPROVED:  DIVISION CHIEF, TRANSPORTATION ENGINEERING AND CONSTRUCTION  DIRECTOR, DEPARTMENT OF TRANSPORTATION	CITY OF BALTIMORE DEPARTMENT OF TRANSPORTATION TRANSPORTATION ENGINEERING AND CONSTRUCTION	ISSUED 8 / 2010	REVISED	REVISED	
	SUPPORT BRACKET FOR BRIDGE MOUNTED 30'-40' LIGHT POLES ON JERSEY BARRIER			STANDARD NO. BC 440.01		
				SCALE: NONE	SHEET 1 OF 1	