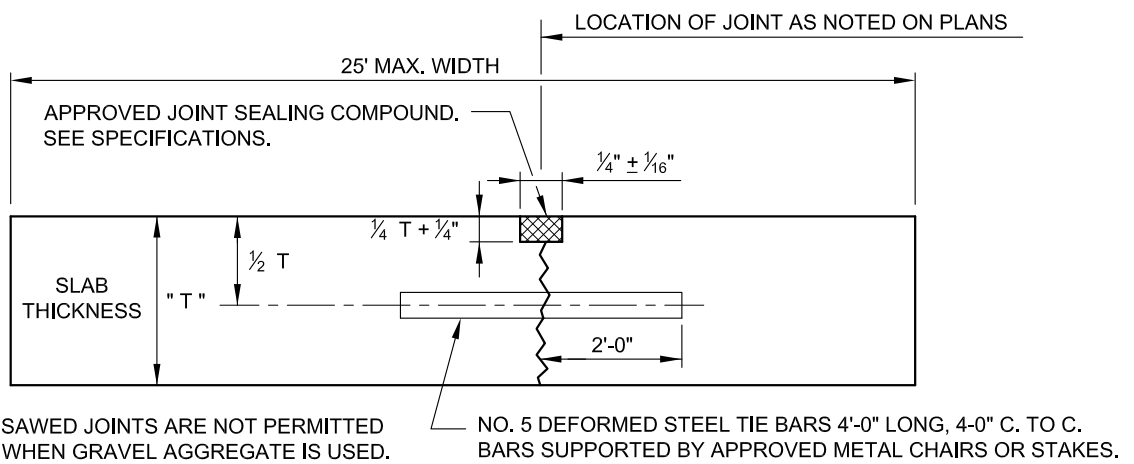
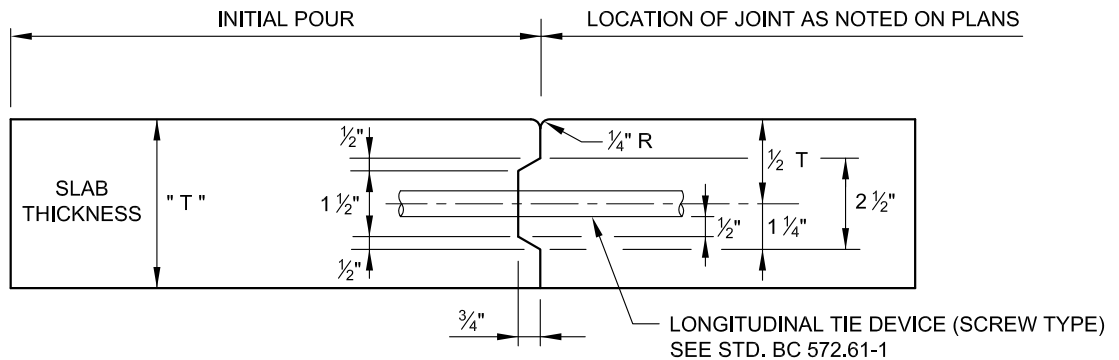



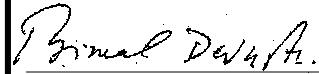
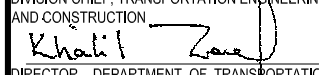
TOOLED LONGITUDINAL CONSTRUCTION JOINT



SAWED LONGITUDINAL CONSTRUCTION JOINT



LONGITUDINAL CONSTRUCTION JOINT

	APPROVED:  DIVISION CHIEF, TRANSPORTATION ENGINEERING AND CONSTRUCTION  DIRECTOR, DEPARTMENT OF TRANSPORTATION	CITY OF BALTIMORE DEPARTMENT OF TRANSPORTATION TRANSPORTATION ENGINEERING AND CONSTRUCTION	ISSUED 8 / 2010	REVISED	REVISED
	TYPES OF JOINTS CEMENT CONCRETE PAVEMENT		STANDARD NO. BC 572.92-2		
			SCALE : NONE	SHEET 2 OF 2	