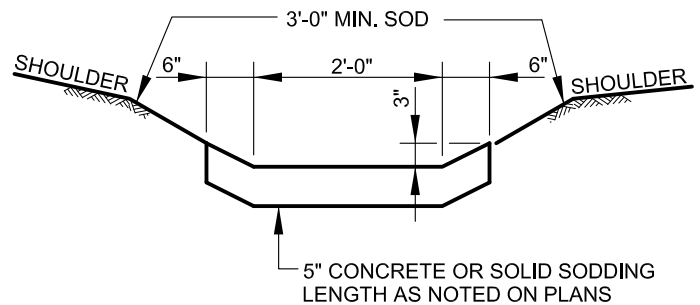


**SECTION A-A**



**SECTION B-B**

**NOTE**

FOR DETAIL OF JOINTS  
SEE LONGITUDINAL TIE  
DEVICES BC 572.61-1



APPROVED:  
*Primal Devita*  
DIVISION CHIEF, TRANSPORTATION ENGINEERING  
AND CONSTRUCTION  
*Khalil Zare*  
DIRECTOR, DEPARTMENT OF TRANSPORTATION

CITY OF BALTIMORE  
DEPARTMENT OF TRANSPORTATION  
TRANSPORTATION ENGINEERING AND  
CONSTRUCTION

**STANDARD CURB OPENING DETAIL  
CURB AND GUTTER SECTION**

ISSUED	REVISED	REVISED
8 / 2010		
<b>STANDARD NO. BC 640.02</b>		
SCALE : NONE	SHEET 1 OF 1	