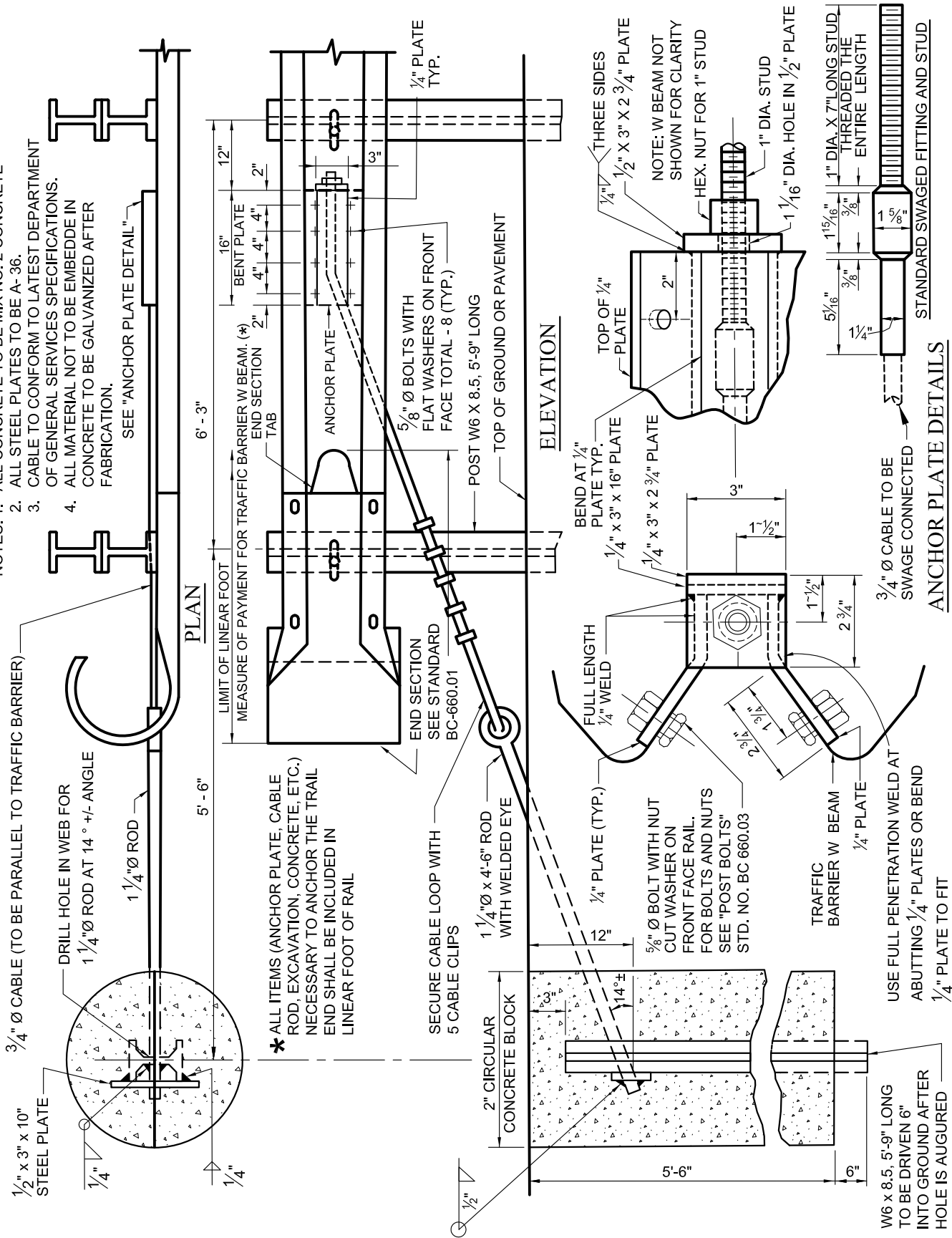


- NOTES: 1. ALL CONCRETE TO BE MIX NO. 2 CONCRETE  
 2. ALL STEEL PLATES TO BE A-36.  
 3. CABLE TO CONFORM TO LATEST DEPARTMENT OF GENERAL SERVICES SPECIFICATIONS.  
 4. ALL MATERIAL NOT TO BE EMBEDDED IN CONCRETE TO BE GALVANIZED AFTER FABRICATION.



APPROVED: *Frank Murphy*  
 DEPUTY DIRECTOR - OPERATIONS  
*Khalil Zane*  
 DIRECTOR, DEPARTMENT OF TRANSPORTATION

CITY OF BALTIMORE  
 DEPARTMENT OF TRANSPORTATION  
 TRAFFIC DIVISION  
**TRAFFIC BARRIER W BEAM  
 TRAIL END ANCHORAGE  
 GENERAL NOTES & DETAILS**

ISSUED	REVISED	REVISED
8 / 2010		
STANDARD NO. BC 660.02		
SCALE : NONE	SHEET 1 OF 1	