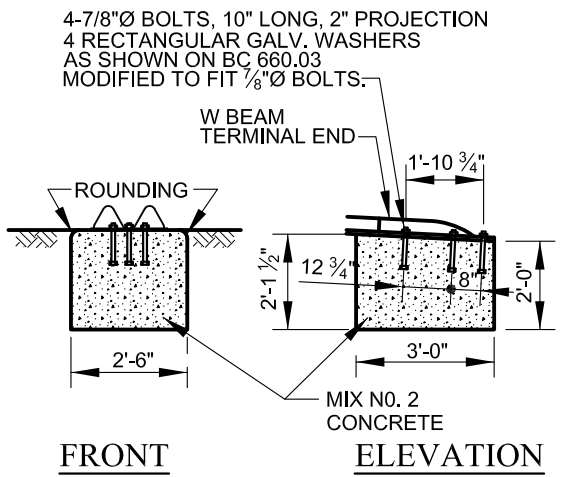
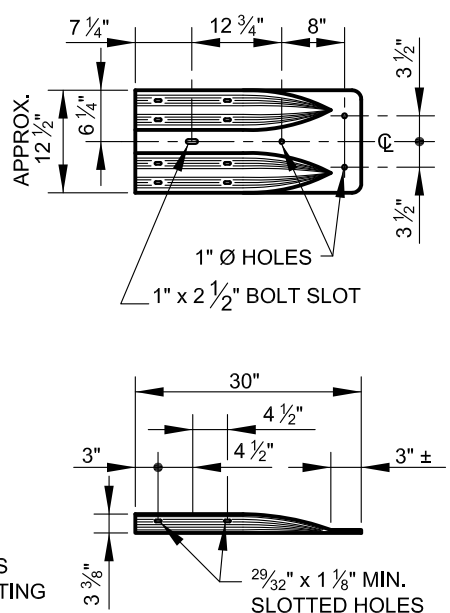
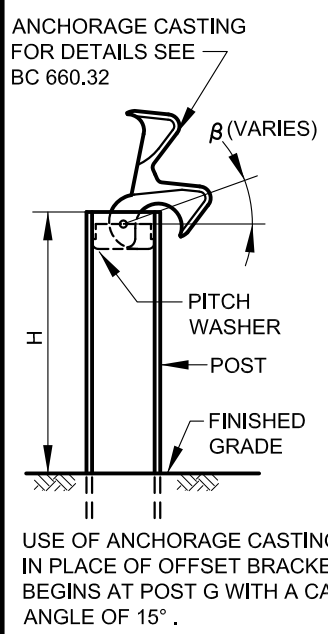



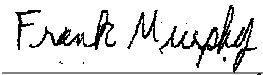
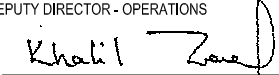
POST	A	B	C	D	E	F	G	H	I	J	K	BOLT
H	2'-3"	2'-3"	2'-3"	2'-3"	2'-3"	2'-3"	1'-3 1/2"	0'-11 7/8"	0'-8 1/4"	0'-4 5/8"	0'-1"	0'-0"
β	0°	0°	0°	0°	0°	0°	15°	30°	45°	60°	75°	90°

H HEIGHT OF TOP OF POST ABOVE FINISHED GRADE
 β ANGLE OF PITCH OF W BEAM BARRIER & ANCHORAGE CASTING



W BEAM TERMINAL END DETAILS
 MATERIAL: 10 GA. STEEL

W BEAM BARRIER END BLOCK

	APPROVED:  DEPUTY DIRECTOR - OPERATIONS  DIRECTOR, DEPARTMENT OF TRANSPORTATION	CITY OF BALTIMORE DEPARTMENT OF TRANSPORTATION TRAFFIC DIVISION	ISSUED 8 / 2010	REVISED 	REVISED
	TRAFFIC BARRIER W BEAM APPROACH FLARE			STANDARD NO. BC 660.31	
			SCALE: NONE	SHEET 1 OF 1	