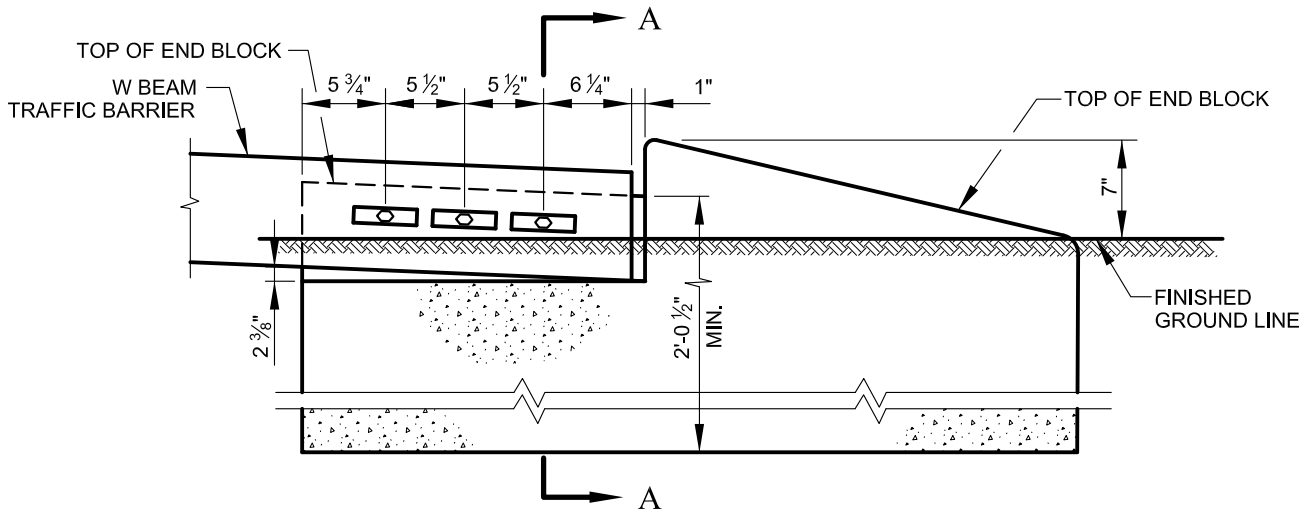
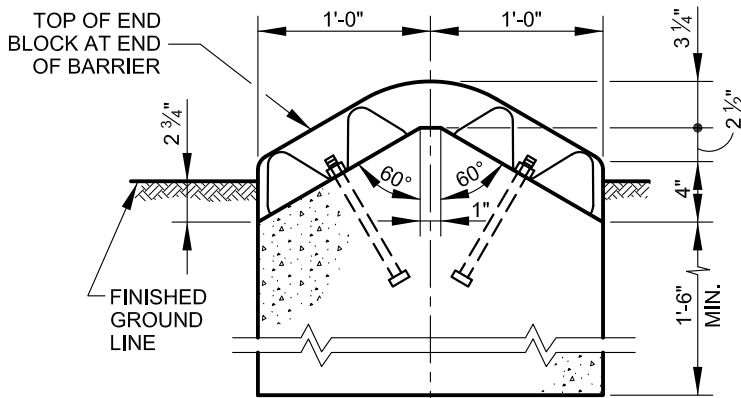


PLAN

NOTE: FOR W BEAM ANCHORAGE
CASTING SEE STD. NO. BC 660.51



ELEVATION



SECTION 'A-A'

INSTALL 6-7/8" Ø BOLTS, 10" LONG,
2" PROJECTION WITH 6-7/8" Ø HEX NUTS,
AND 6 RECTANGULAR GALVANIZED WASHERS
AS SHOWN ON BC 660.03, MODIFIED TO FIT
7/8" Ø BOLTS. CONCRETE FOR END
BLOCK TO BE MIX NO. 2 CONCRETE.

NOTE: ALL HARDWARE TO BE GALVANIZED

NOTE: THE USE OF THIS END TREATMENT IS LIMITED
TO POSTED SPEEDS OF 30 MPH OR LESS



APPROVED:
Frank Murphy
DEPUTY DIRECTOR - OPERATIONS
Khalil Zane
DIRECTOR, DEPARTMENT OF TRANSPORTATION

CITY OF BALTIMORE
DEPARTMENT OF TRANSPORTATION
TRAFFIC DIVISION

TRAFFIC BARRIER W BEAM
MEDIAN BARRIER
END BLOCK

ISSUED	REVISED	REVISED
8 / 2010		
STANDARD NO. BC 660.52		
SCALE: NONE	SHEET 1 OF 1	