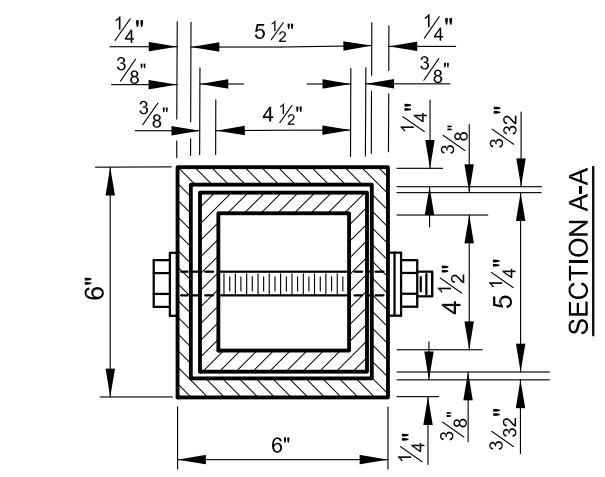
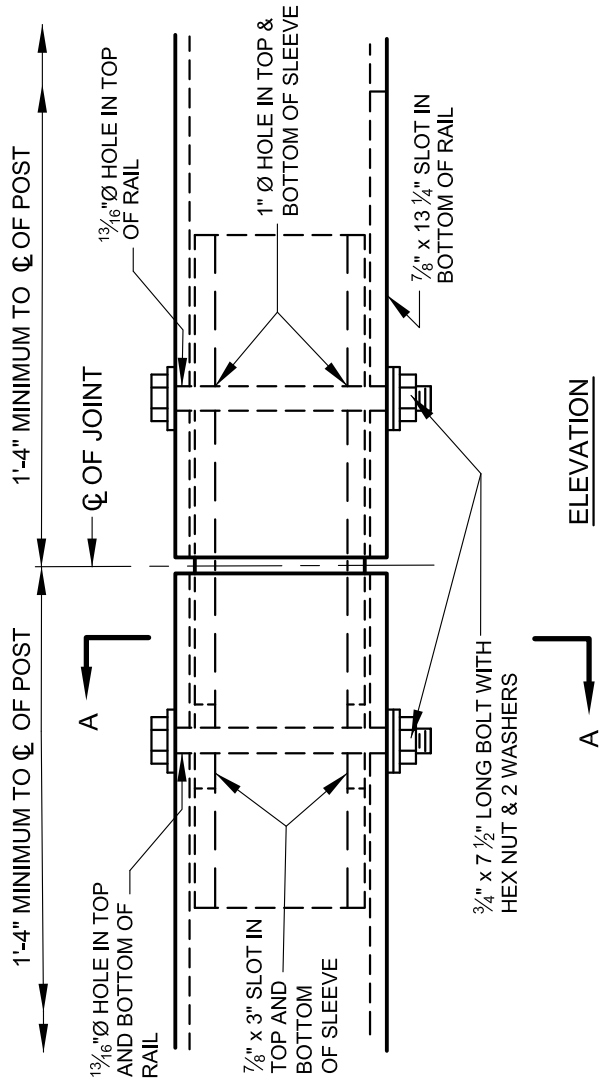


PLAN



SECTION A-A



ELEVATION



APPROVED: *Frank Murphy*
 DEPUTY DIRECTOR - OPERATIONS
Khalil Zane
 DIRECTOR, DEPARTMENT OF TRANSPORTATION

CITY OF BALTIMORE
 DEPARTMENT OF TRANSPORTATION
 TRAFFIC DIVISION
**TRAFFIC BARRIER BOX BEAM
 SHOULDER BARRIER
 SECTION-SPLICE DETAIL**

| | | |
|-----------------------------|--------------|---------|
| ISSUED | REVISED | REVISED |
| 8 / 2010 | | |
| STANDARD NO. BC 662.01-2 | | |
| SCALE: NONE | SHEET 2 OF 2 | |