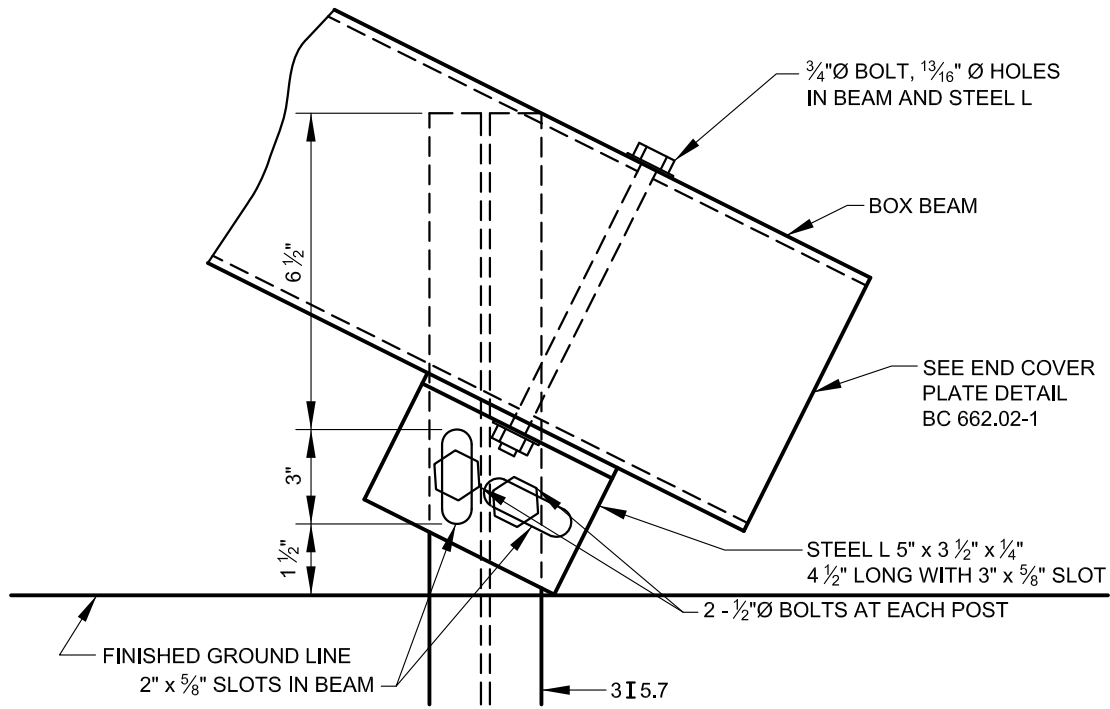

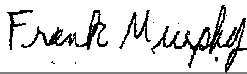
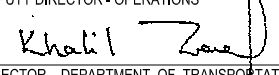


DETAILS OF SHOULDER BARRIER POST MOUNTING



END TREATMENT DETAIL

	APPROVED:  DEPUTY DIRECTOR - OPERATIONS  DIRECTOR, DEPARTMENT OF TRANSPORTATION	CITY OF BALTIMORE DEPARTMENT OF TRANSPORTATION TRAFFIC DIVISION	ISSUED 8 / 2010	REVISED	REVISED	
	TRAFFIC BARRIER BOX BEAM SHOULDER BARRIER TYPICAL END TREATMENT			STANDARD NO. BC 662.02-2		
	SCALE : NONE			SHEET 2 OF 2		