

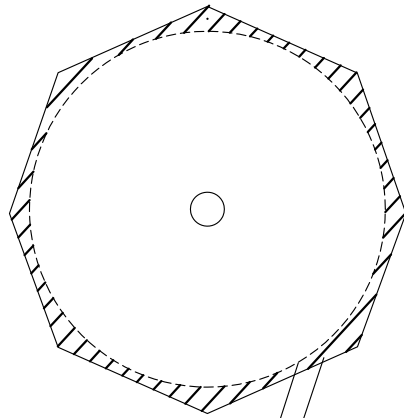
TREE PROTECTION FENCING NOTES

1. TREE PROTECTION SHALL BE A MINIMUM OF 6'-0" HIGH CHAIN LINK FENCE MOUNTED ON VERTICAL PIPES DRIVEN 2'-0" INTO THE GROUND, AT APPROXIMATELY 8'-0" TO 10'-0" (MAX.) ON CENTER, WITH NO GATES.

IN AREAS WHERE SUPER SILT FENCE (SSF) AND THE TREE PROTECTION FENCE RUN PARALLEL, SSF MAY BE UTILIZED FOR TREE, PROTECTION PURPOSES UPON APPROVAL BY THE CITY ARBORIST OR DEPARTMENT OF PLANNING.

2. TREE PROTECTION FENCING SHALL BE ERECTED AT THE CRITICAL ROOT ZONE OR BEYOND AND/OR ON CONCRETE TO PROTECT TREE(S) IN CONCRETE AREAS PRIOR TO START OF ANY CLEARING, GRADING OR OTHER CONSTRUCTION ACTIVITY. SIGNS STATING "NO ENTRY, TREE PROTECTION AREA, CALL (410) 396-6109 TO REPORT VIOLATIONS" ARE TO BE POSTED IN BOTH ENGLISH AND SPANISH. SEE REFERENCE DETAILS. TREE PROTECTION SHALL NOT BE REMOVED UNTIL COMPLETION OF ALL CONSTRUCTION ACTIVITY.

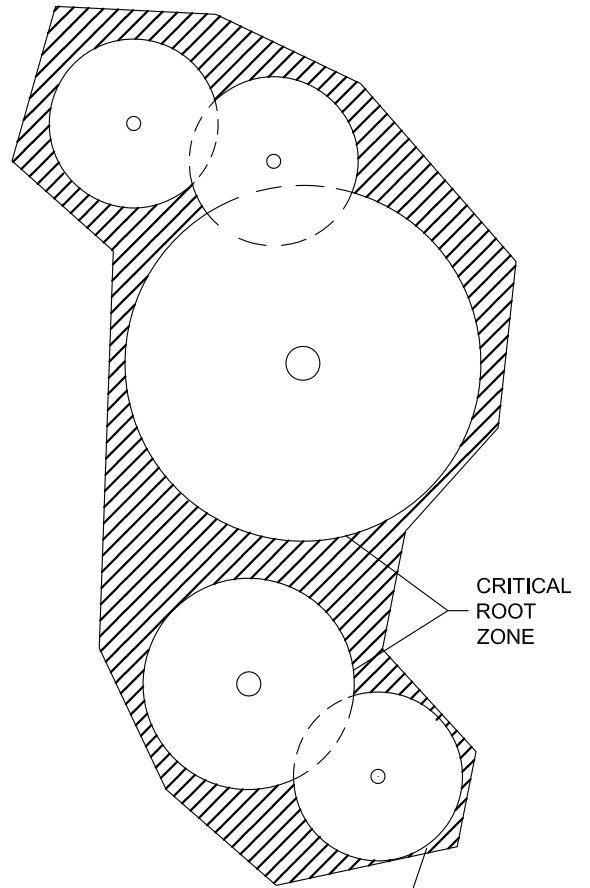
3. FOR QUESTIONS RELATED TO TREE PROTECTION OR FOR FIELD INSPECTION OF TREE PROTECTION, CONTACT THE CITY ARBORIST AT (410) 396-6109 OR (410) 396-4369.



CRITICAL ROOT ZONE

6'-0" CHAIN LINK FENCING

SINGLE OR SPECIMEN TREE



CRITICAL ROOT ZONE

6'-0" CHAIN LINK FENCING

MULTIPLE OR CLUSTERED TREES



APPROVED:

Primal Devita
 DIVISION CHIEF, TRANSPORTATION ENGINEERING
 AND CONSTRUCTION
Khalil Zare
 DIRECTOR, DEPARTMENT OF TRANSPORTATION

CITY OF BALTIMORE
 DEPARTMENT OF TRANSPORTATION
 TRANSPORTATION ENGINEERING AND
 CONSTRUCTION

TREE PROTECTION FENCE, PLAN

ISSUED	REVISED	REVISED
8 / 2010		
STANDARD NO. BC 701.33		
SCALE: NONE	SHEET 1 OF 1	