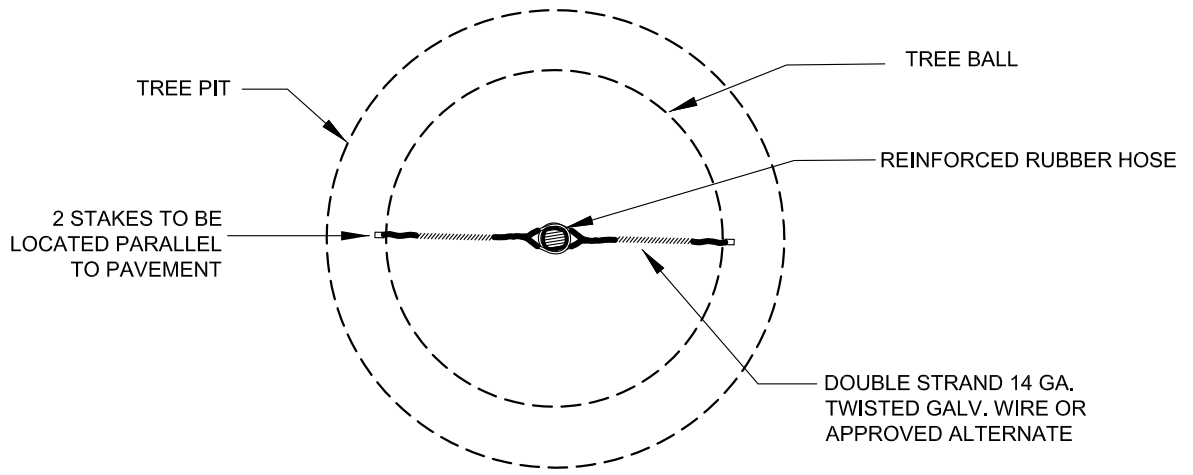



SECTION



PLAN

	APPROVED:  DIVISION CHIEF, TRANSPORTATION ENGINEERING AND CONSTRUCTION  DIRECTOR, DEPARTMENT OF TRANSPORTATION	CITY OF BALTIMORE DEPARTMENT OF TRANSPORTATION TRANSPORTATION ENGINEERING AND CONSTRUCTION	ISSUED 8 / 2010	REVISED	REVISED
	STAKING MINOR & EVERGREEN TREES TO 10' HEIGHT		STANDARD NO. BC 710.01-4		
			SCALE : NONE	SHEET 4 OF 5	