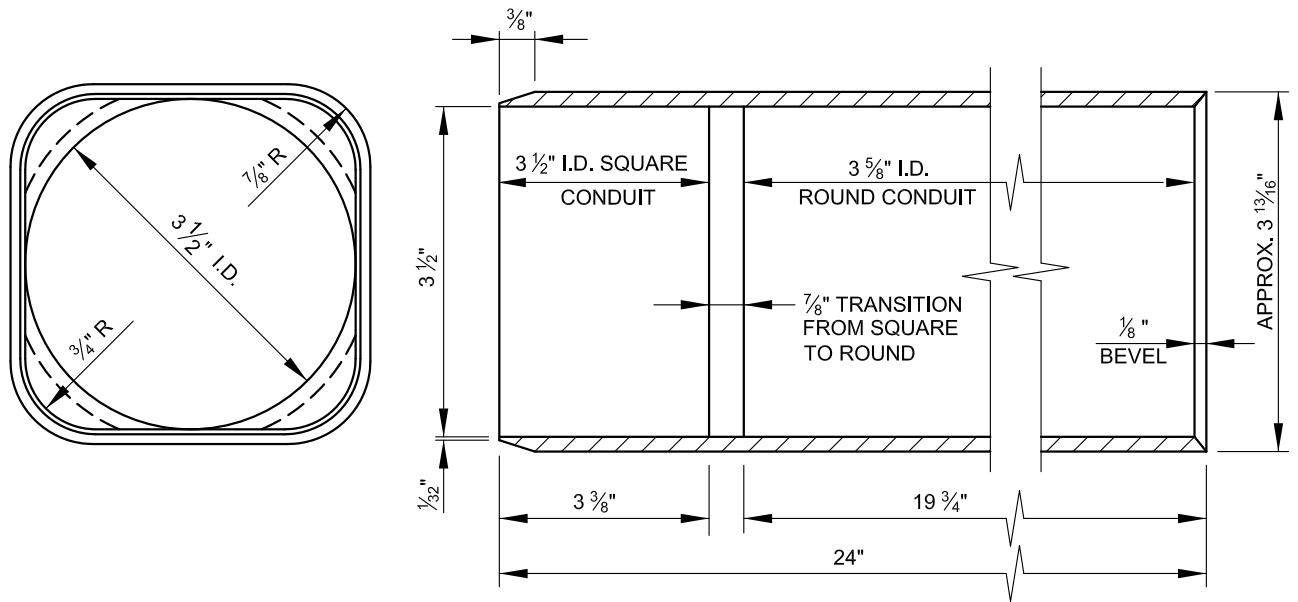


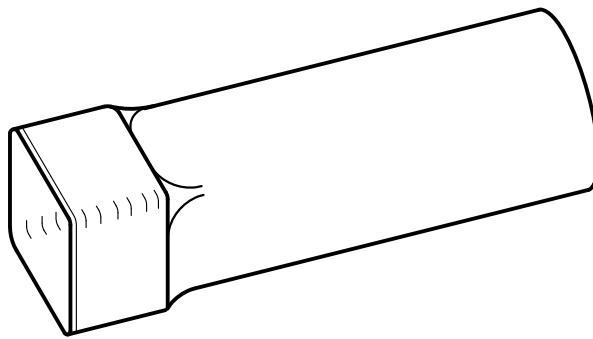
SQUARE ADAPTER 3 1/2" TO 3" AND 4" P.V.C.


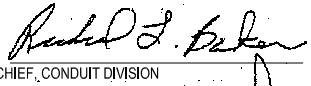



SQUARE BORE ADAPTER

USED TO CONVERT FROM "SQUARE" 3 1/2" TILE DUCT TO 3" AND 4" ROUND P.V.C. PLASTIC DUCT.

MADE OF P.V.C. PLASTIC IN ACCORDANCE TO THESE SPECIFICATIONS, A.S.T.M. F 512, RATING 90°C



	APPROVED:  CHIEF, CONDUIT DIVISION  DIRECTOR, DEPARTMENT OF TRANSPORTATION	CITY OF BALTIMORE DEPARTMENT OF TRANSPORTATION CONDUIT DIVISION	ISSUED 8 / 2010	REVISED	REVISED
	CONDUIT SQUARE BORE ADAPTER		STANDARD NO. BC 802.03-1		
			SCALE : NONE	SHEET 1 OF 4	