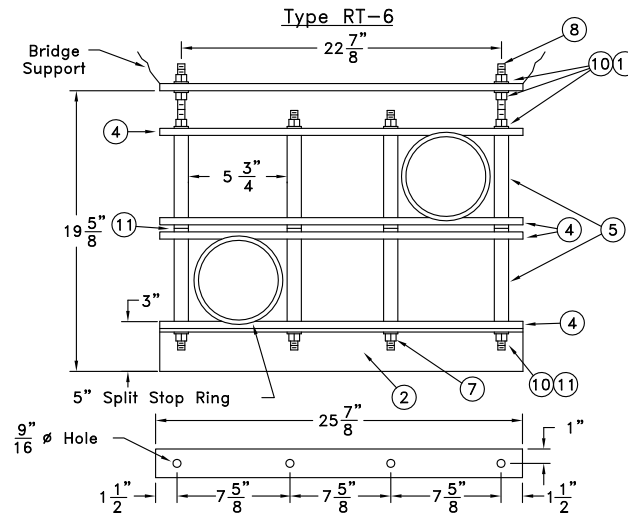
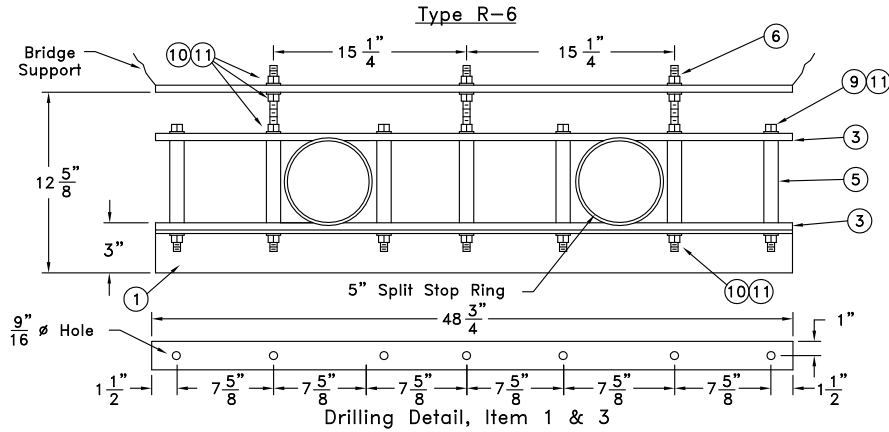


5" PVC PLASTIC UTILITY DUCT ON BRIDGE HANGER SUPPORTS



Bill of Material

Item	Description	Quantity Restraining	
		Type R-6	Type RT-6
1	3" x 2" x 1/4" x 48-3/4" Lg. steel angle	1	
2	3" x 2" x 1/4" x 25-7/8" Lg. steel angle		1
3	1/2" x 2" x 48-3/4" PVC plate	2	
4	1/2" x 2" x 25-7/8" PVC plate		4
5	1/2" x 5-3/4" Schedule 40 PVC pipe	7	8
6	1/2" x 13" Galv. all thread hanger rod	3	
7	1/2" x 17" Galv. all thread hanger rod		2
8	1/2" x 20" Galv. all thread hanger rod		2
9	1/2" x 9" Galv. sq. hd. bolt	4	
10	1/2" Galv. hex. hd. locknut	16	12
11	1/2" Galv. round flat washer	20	20

Instructions:

- (A) Score ends of all threads after installation.
- (B) When conduit is not being restrained, bell ends or couplings shall not be located closer than 14" to any hanger.
- (C) Paint all fabricated steel welds with an approved stainless steel paint. Color to be compatible with bridge.



APPROVED:

Richard J. Baker
CHIEF, CONDUIT DIVISION
Khail Zare
DIRECTOR, DEPARTMENT OF TRANSPORTATION

CITY OF BALTIMORE
DEPARTMENT OF TRANSPORTATION
CONDUIT DIVISION

**5" PVC, PLASTIC UTILITY DUCT
ON BRIDGE HANGER SUPPORTS**

ISSUED	REVISED	REVISED
8 / 2010		

STANDARD NO.
BC 802.04-3

SCALE: NONE

SHEET 3 OF 6