

B. GROUT PLACEMENT

1. Seal Casing Ends

a) Preferred Method – "Box and Pour"

Ducts extending out of the casing shall be cut flush, couplings attached and duct plugs installed (bell ends with duct plugs installed may also be made flush). Build a box form around the casing end with the form flat against the duct ends (See Figure #3). Install the filler and vent pipe (See Sheet 5 Of 5). Fill the box with concrete until the casing end is sealed.

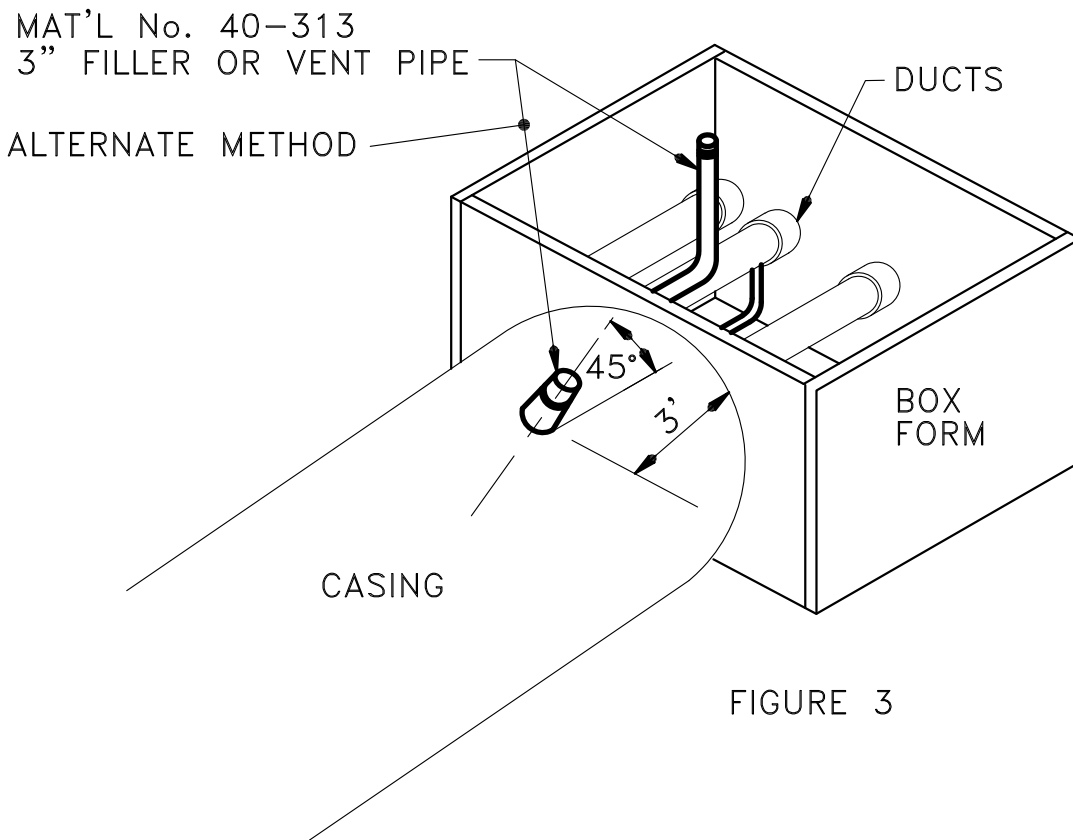


FIGURE 3

b) Alternate Method – "Hand Grout"

Install the filler and vent pipe (See Sheet 5 of 5) into the casing. Use grout and pieces of brick to build a 12" cement bulkhead just inside the casing end. Seal the entire opening.



APPROVED:  
*Rashed S. Baker*  
CHIEF, CONDUIT DIVISION  
*Khail Zaeed*  
DIRECTOR, DEPARTMENT OF TRANSPORTATION

CITY OF BALTIMORE  
DEPARTMENT OF TRANSPORTATION  
CONDUIT DIVISION

CONDUIT SECTIONS  
IN CASING PIPE

ISSUED	REVISED	REVISED
8 / 2010		

STANDARD NO.  
BC 803.01-4

SCALE: NONE SHEET 4 OF 5