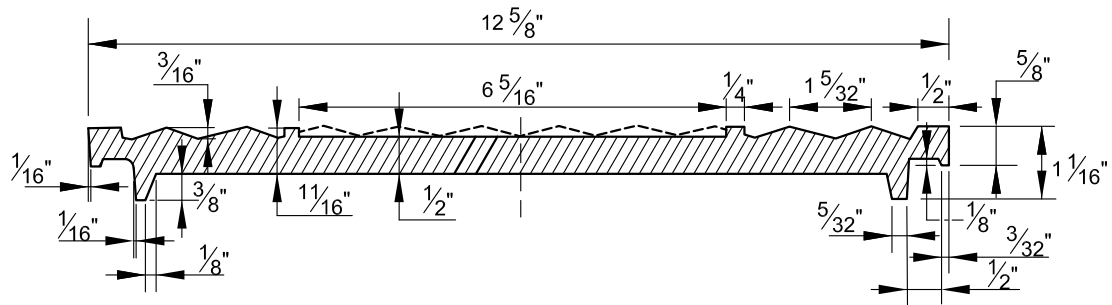


PLAN



SECTION A-A

NOTE:
HANDBOX COVER MATERIAL SHALL BE CAST STEEL,
21,000 PSI TENSILE STRENGTH. WEIGHT = 21 LBS.



APPROVED:
Rashed S. Bekar
CHIEF, CONDUIT DIVISION
Khail Zare
DIRECTOR, DEPARTMENT OF TRANSPORTATION

CITY OF BALTIMORE
DEPARTMENT OF TRANSPORTATION
CONDUIT DIVISION

**HANDBOX - CONDUIT
STANDARD COVER**

ISSUED	REVISED	REVISED
8 / 2010		

STANDARD NO.
BC 804.04
SCALE: NONE SHEET 1 OF 1