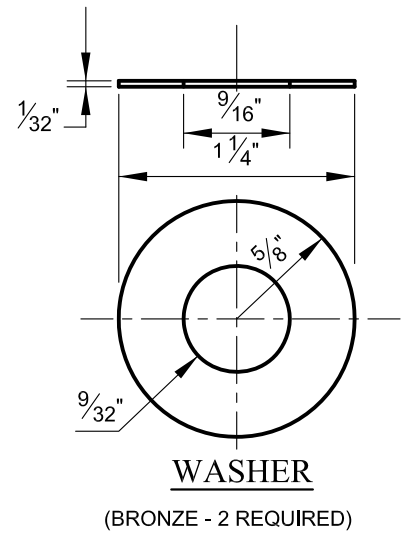
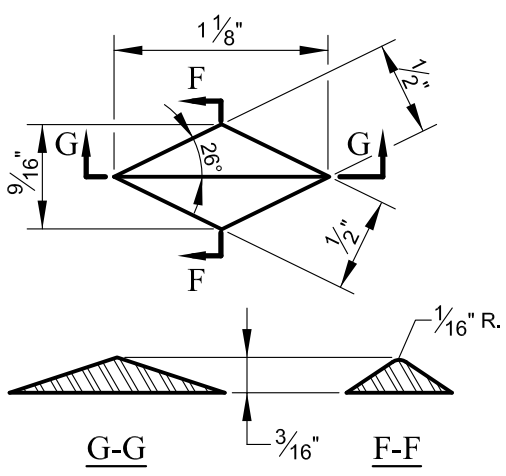



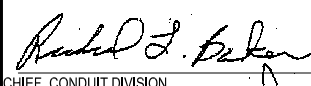
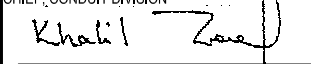
SQUARE SHOULDER  
 $\frac{1}{4}$  FROM BASE  
**LOCK WORM**  
 (CAST IRON - 1 REQUIRED)

WASHER  
 DRILL  $\frac{1}{8}$ " DIA. HOLE AS SHOWN TO RECEIVE COTTER PIN  
**LOCKING BOLT**  
 (BRASS - 1 REQUIRED)



**WASHER**  
 (BRONZE - 2 REQUIRED)

**SURFACE DESIGN DETAIL**

	APPROVED:  CHIEF, CONDUIT DIVISION  DIRECTOR, DEPARTMENT OF TRANSPORTATION	CITY OF BALTIMORE DEPARTMENT OF TRANSPORTATION CONDUIT DIVISION		ISSUED 8 / 2010	REVISED	REVISED
	<b>HANDBOX - CONDUIT STANDARD          COVER LOCKING BOLT AND          SURFACE DESIGN DETAILS</b>			<b>STANDARD NO.          BC 804.08</b>		
				SCALE : NONE	SHEET 1 OF 1	