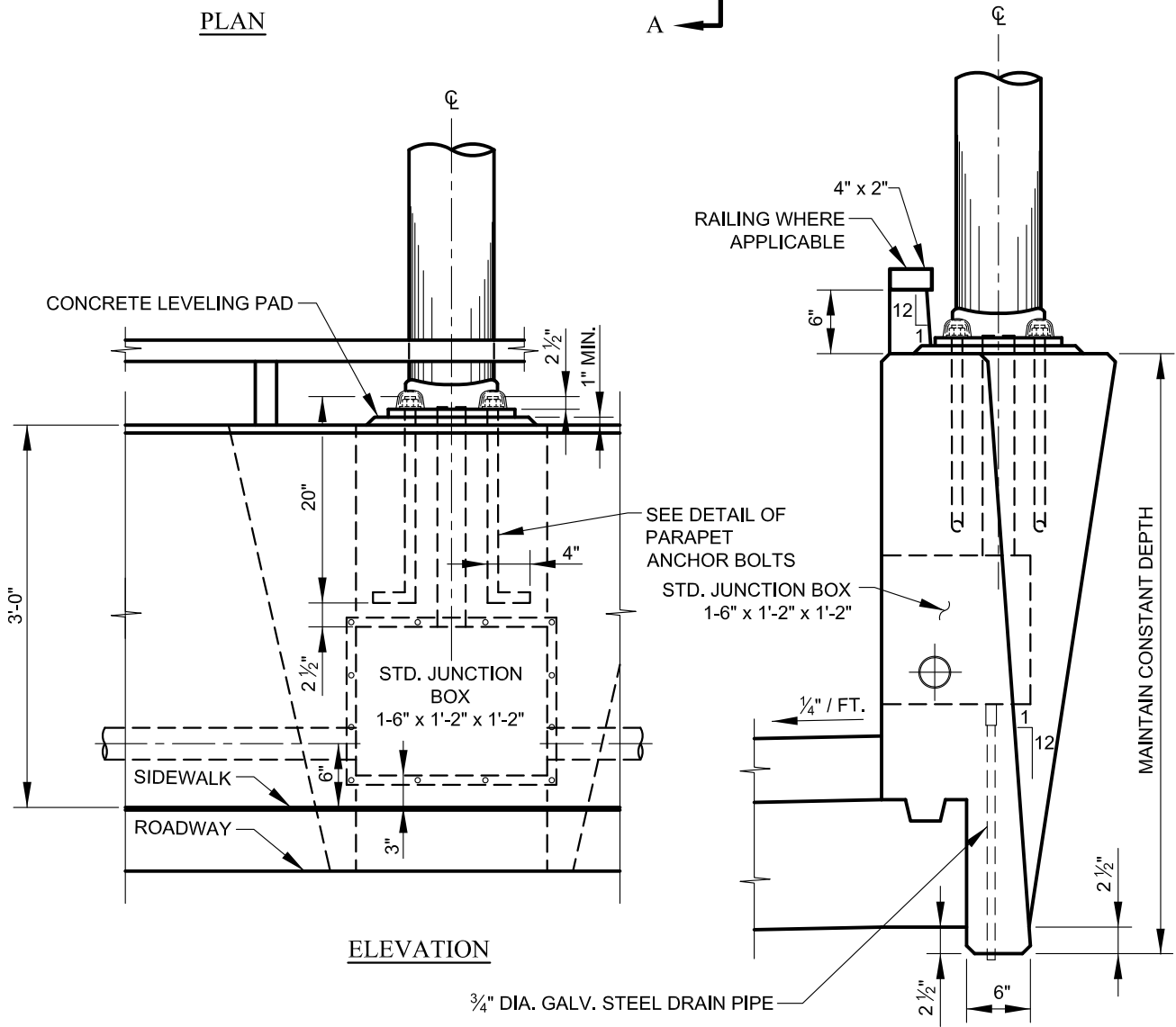

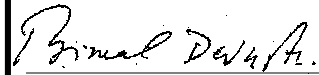
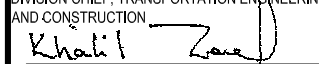


PLAN



ELEVATION

SECTION 'A-A'

	APPROVED:  DIVISION CHIEF, TRANSPORTATION ENGINEERING AND CONSTRUCTION  DIRECTOR, DEPARTMENT OF TRANSPORTATION	CITY OF BALTIMORE DEPARTMENT OF TRANSPORTATION TRANSPORTATION ENGINEERING AND CONSTRUCTION	ISSUED 8 / 2010	REVISED	REVISED	
	<b>TYPICAL INSTALLATION OF LIGHT STANDARD ON BRIDGE PARAPET ADJACENT TO SIDEWALK</b>			STANDARD NO. BC 808.09		
	SCALE : NONE			SHEET 1 OF 1		