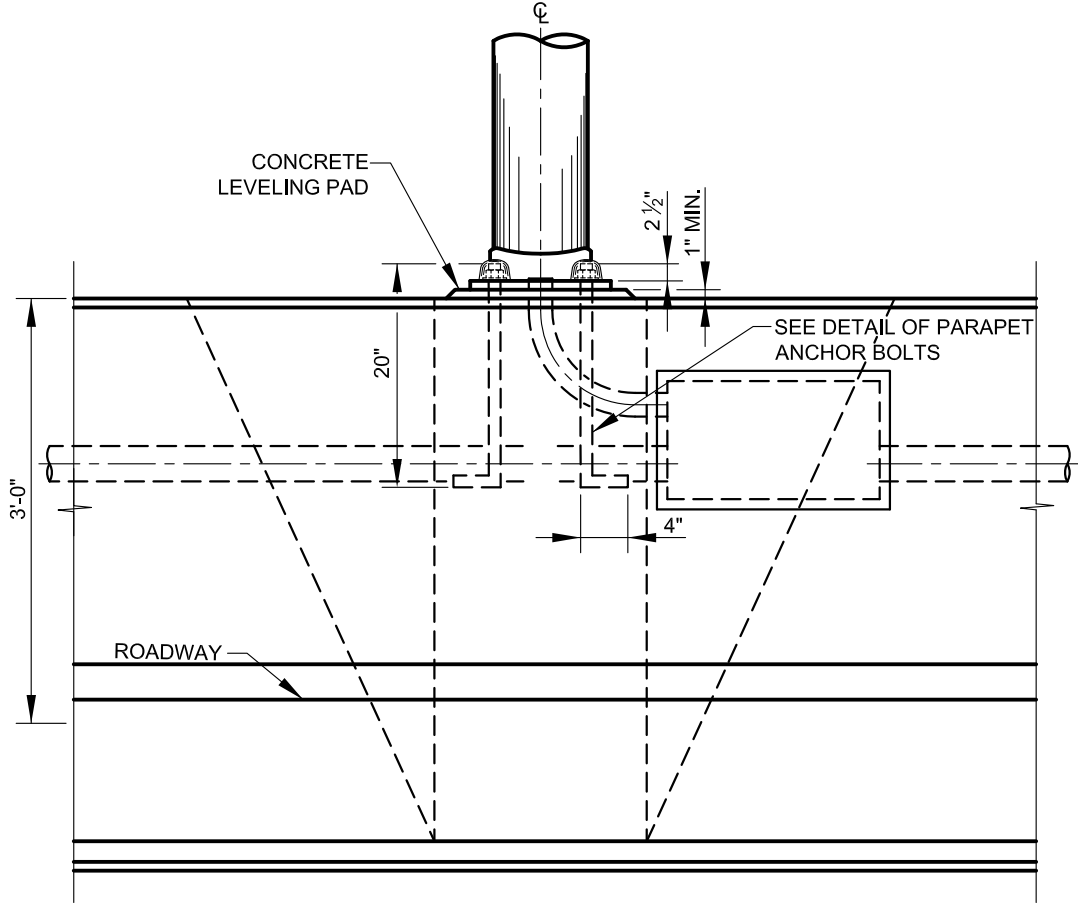

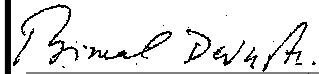
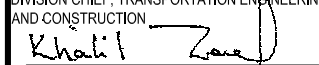


PLAN



ELEVATION

	APPROVED:  DIVISION CHIEF, TRANSPORTATION ENGINEERING AND CONSTRUCTION  DIRECTOR, DEPARTMENT OF TRANSPORTATION	CITY OF BALTIMORE DEPARTMENT OF TRANSPORTATION TRANSPORTATION ENGINEERING AND CONSTRUCTION	ISSUED 8 / 2010	REVISED	REVISED	
	TYPICAL INSTALLATION OF LIGHT STANDARD ON BRIDGE PARAPET ADJACENT TO ROADWAY			STANDARD NO. BC 808.10-1		
				SCALE : NONE	SHEET 1 OF 2	