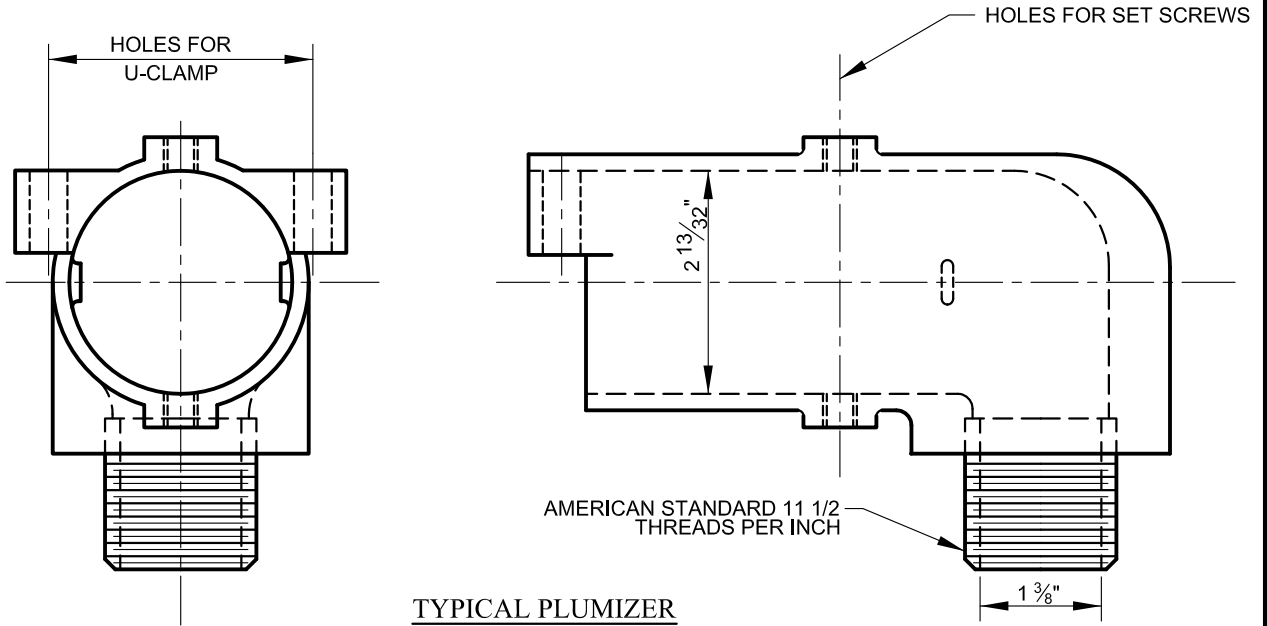
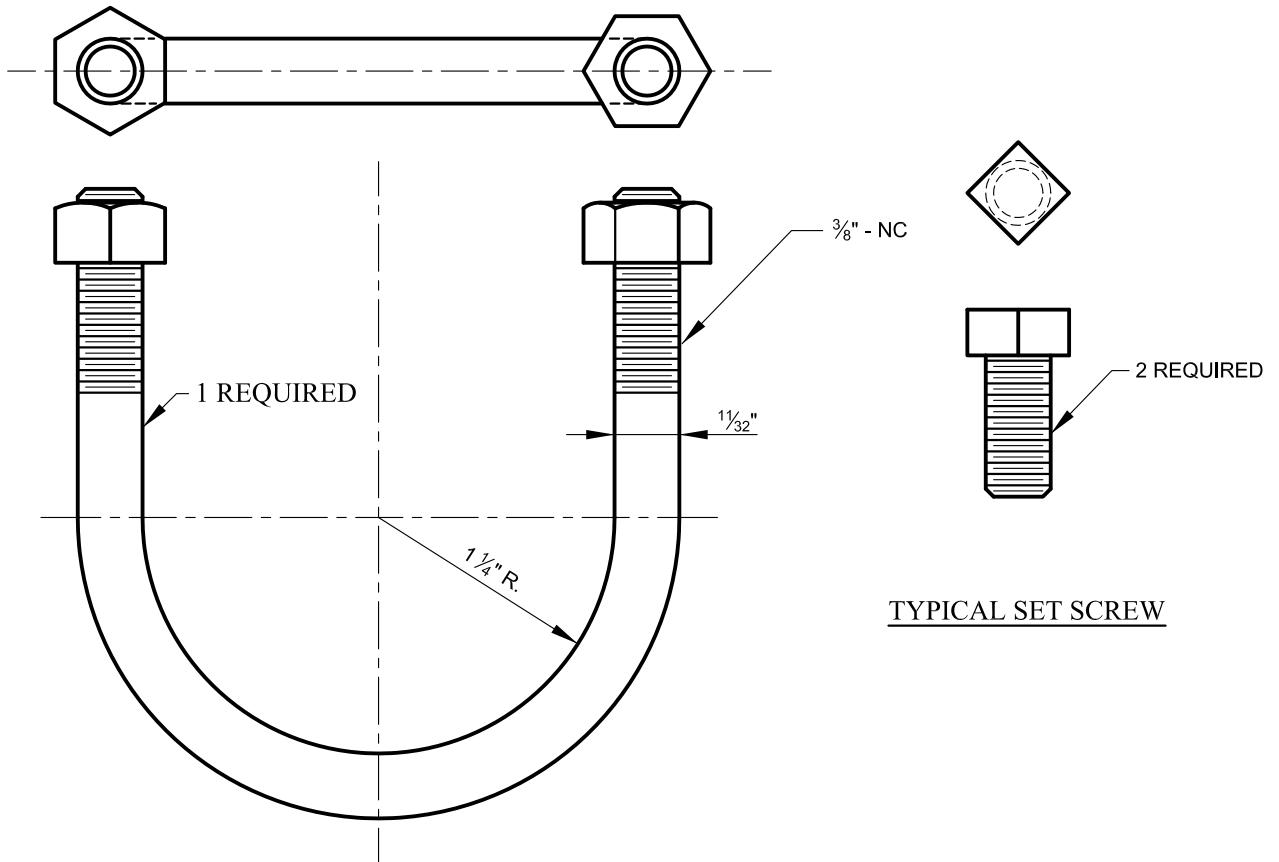


PLUMIZER FURNISHED WITH NO. 25
STEEL POLE IF REQUIRED



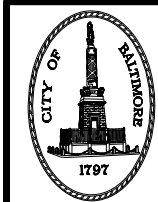
TYPICAL PLUMIZER



TYPICAL U-CLAMP

TYPICAL SET SCREW

SEE SPECIFICATIONS AND SPECIAL PROVISIONS
FOR MATERIALS AND FINISH



APPROVED:
Primal Dev...
DIVISION CHIEF, TRANSPORTATION ENGINEERING
AND CONSTRUCTION
Khalil Z...
DIRECTOR, DEPARTMENT OF TRANSPORTATION

CITY OF BALTIMORE
DEPARTMENT OF TRANSPORTATION
TRANSPORTATION ENGINEERING AND
CONSTRUCTION

**LIGHTING ACCESSORIES
PLUMIZER ATTACHMENT
AND PARTS**

ISSUED	REVISED	REVISED
8 / 2010		
STANDARD NO. BC 808.11		
SCALE : NONE	SHEET 1 OF 1	