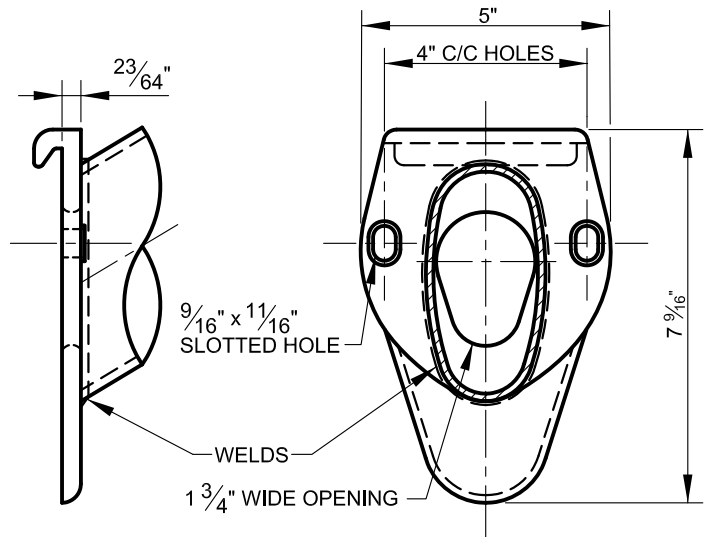
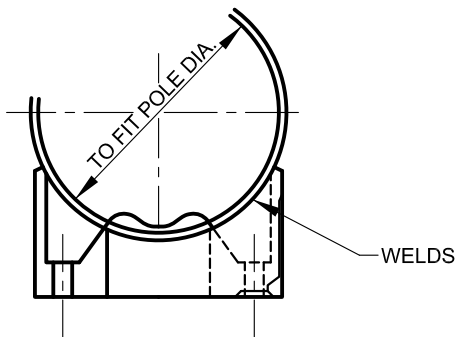


SECTION THRU POLE PLATE

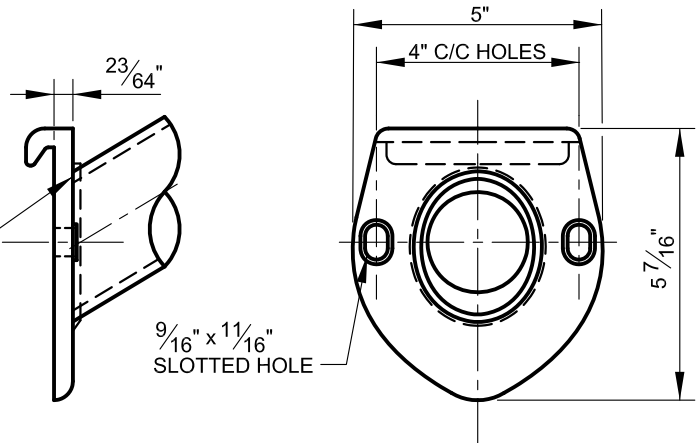


TAPERED ARM CONNECTION

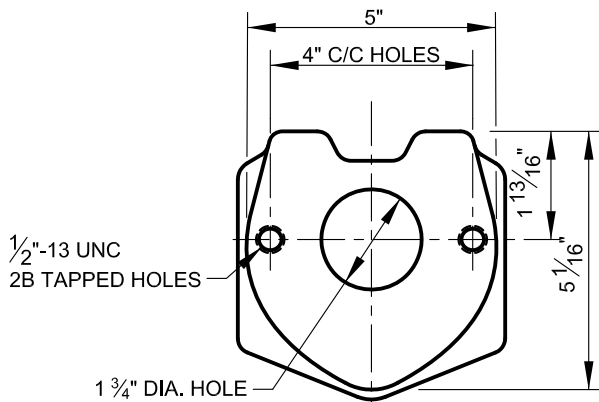
NOTE: TO BE USED ON POLES SHOWN ON BC 808.01 THRU BC 808.05 AND BC 808.13



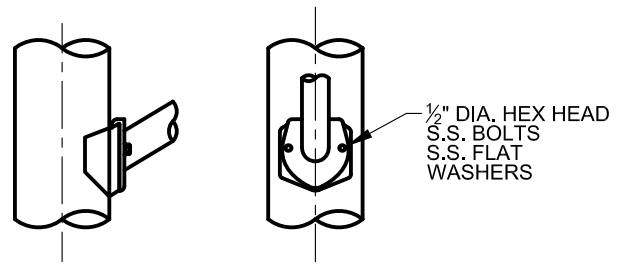
TOP VIEW OF POLE PLATE



PIPE ARM CONNECTION



FRONT VIEW OF POLE PLATE



ASSEMBLED VIEW



APPROVED:  
*Primal Devita*  
 DIVISION CHIEF, TRANSPORTATION ENGINEERING AND CONSTRUCTION  
*Khalil Zare*  
 DIRECTOR, DEPARTMENT OF TRANSPORTATION

CITY OF BALTIMORE  
 DEPARTMENT OF TRANSPORTATION  
 TRANSPORTATION ENGINEERING AND CONSTRUCTION

DETAIL OF ALUMINUM POLE AND ARM PLATE CONSTRUCTION

ISSUED	REVISED	REVISED
8 / 2010		
STANDARD NO. BC 808.14		
SCALE : NONE	SHEET 1 OF 1	