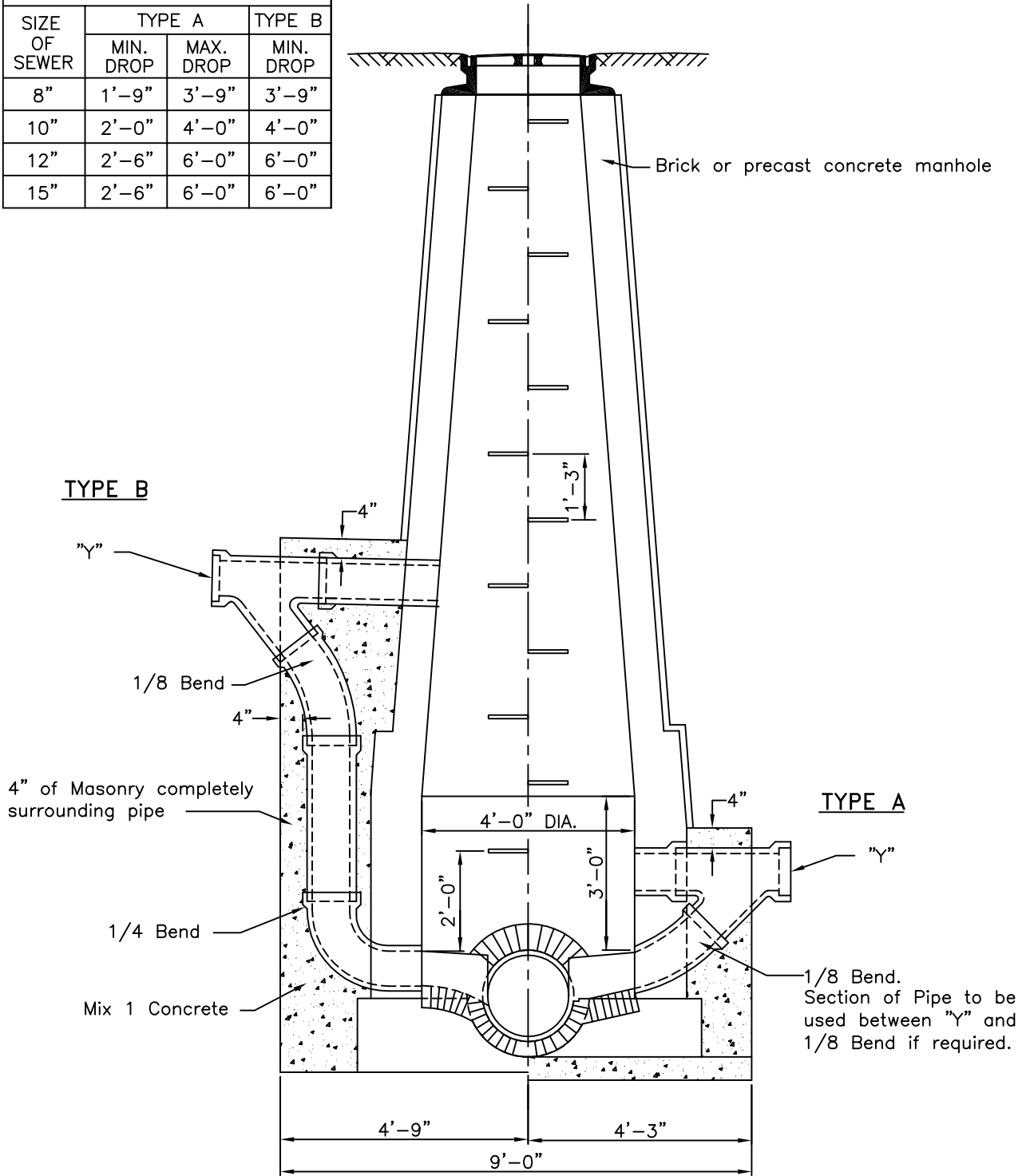

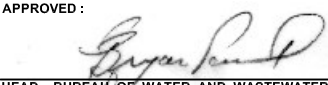
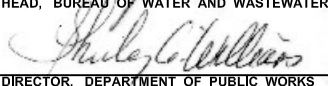


DROP CONNECTIONS			
SIZE OF SEWER	TYPE A		TYPE B
	MIN. DROP	MAX. DROP	MIN. DROP
8"	1'-9"	3'-9"	3'-9"
10"	2'-0"	4'-0"	4'-0"
12"	2'-6"	6'-0"	6'-0"
15"	2'-6"	6'-0"	6'-0"



**Notes:**

1. PVC pipe shall be used for drop connection.
2. For 15" Sewers with drop connections use Special "Y" with 12" Branch.

	APPROVED:  HEAD, BUREAU OF WATER AND WASTEWATER	CITY OF BALTIMORE DEPARTMENT OF PUBLIC WORKS BUREAU OF WATER AND WASTEWATER	ISSUED	REVISED	REVISED	
	 DIRECTOR, DEPARTMENT OF PUBLIC WORKS		3 / 2008			
	SANITARY-TYPE A DROP CONNECTION  SANITARY-TYPE B DROP CONNECTION		STANDARD NO. BC 831.09			SCALE : NONE