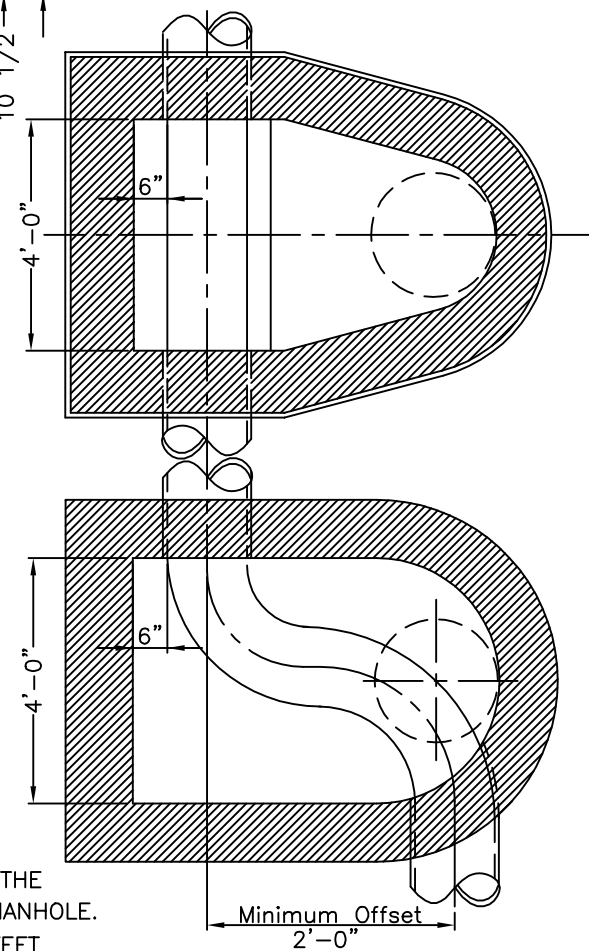
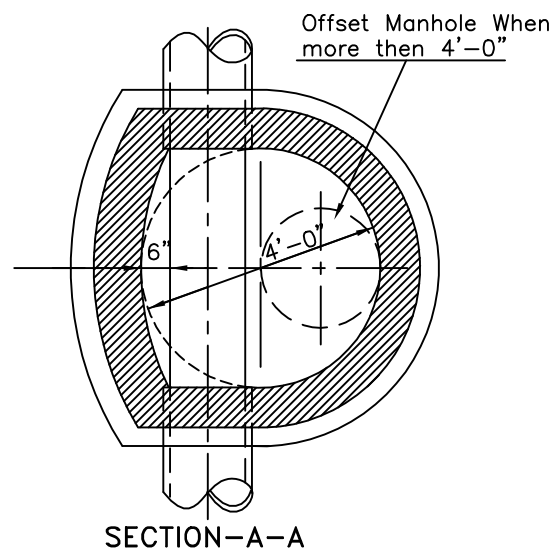
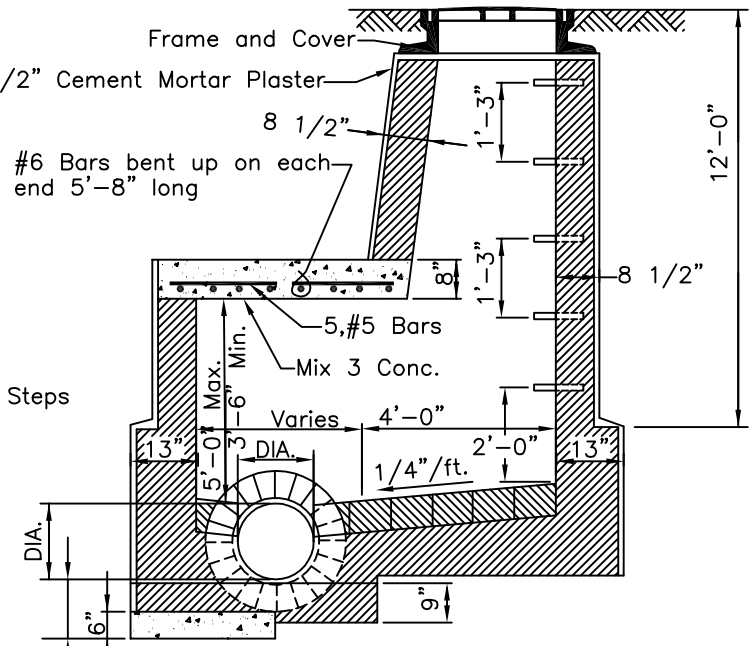
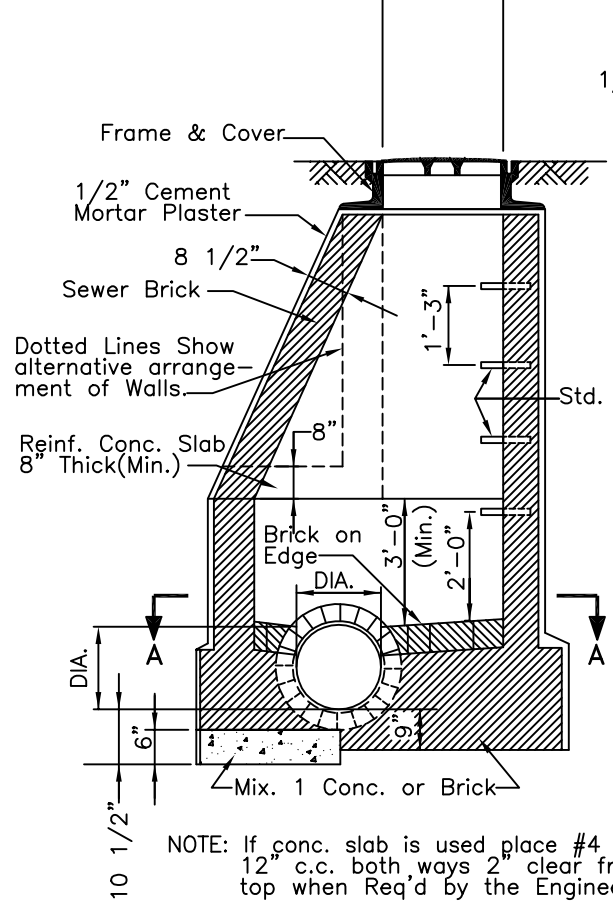


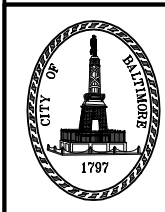
For 30" Frame & Cover 2'-6"



SECTION-A-A

**BASIS OF PAYMENT**

SANITARY OFFSET MANHOLES SHALL BE PAID FOR ON THE BASIS OF THE LUMP SUM BID FOR EACH COMPLETE MANHOLE. NO ADDITIONAL PAYMENT WILL BE MADE FOR LINEAR FEET OF EXTRA VERTICAL DEPTH.



APPROVED:  
*[Signature]*  
 HEAD, BUREAU OF WATER AND WASTEWATER  
*[Signature]*  
 DIRECTOR, DEPARTMENT OF PUBLIC WORKS

CITY OF BALTIMORE  
 DEPARTMENT OF PUBLIC WORKS  
 BUREAU OF WATER AND WASTEWATER  
 SANITARY OFFSET MANHOLE  
 30" COVER

ISSUED	REVISED	REVISED
3 / 2008		
<b>STANDARD NO. BC 831.20</b>		
SCALE : NONE		SHEET 1 OF 1