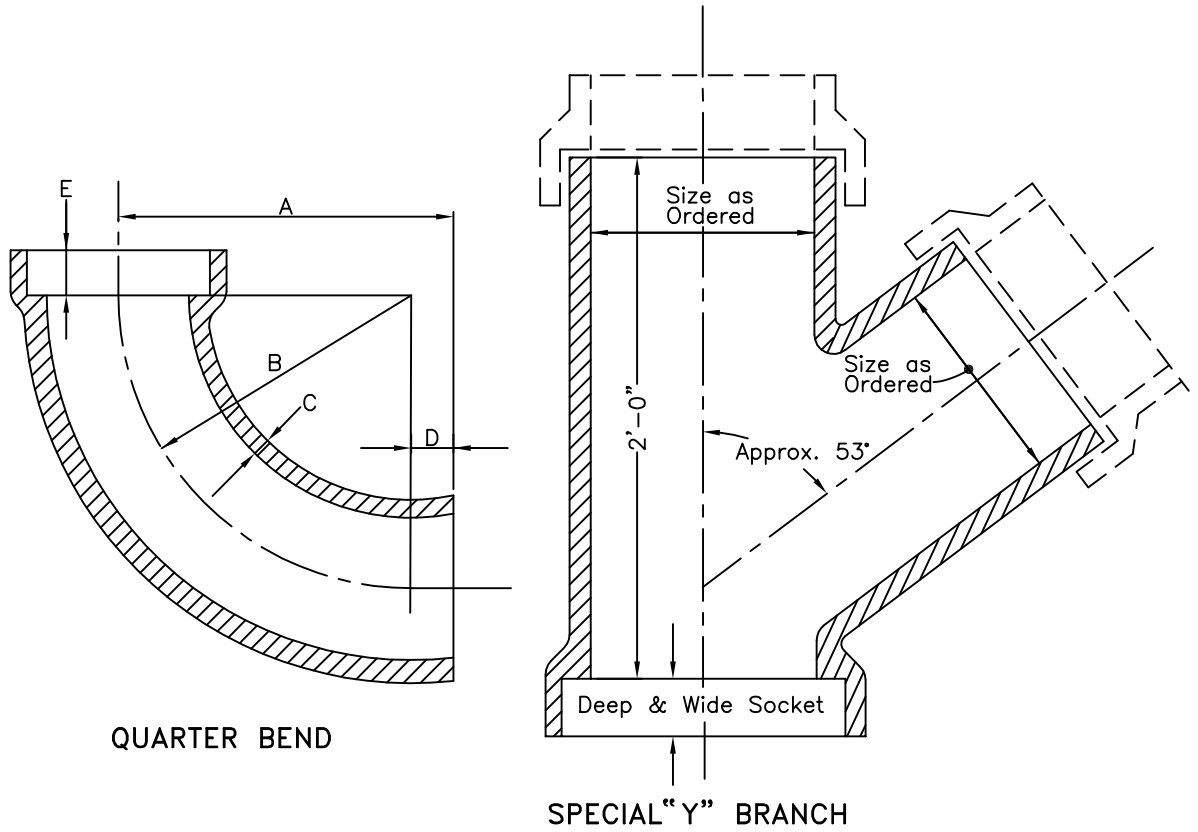
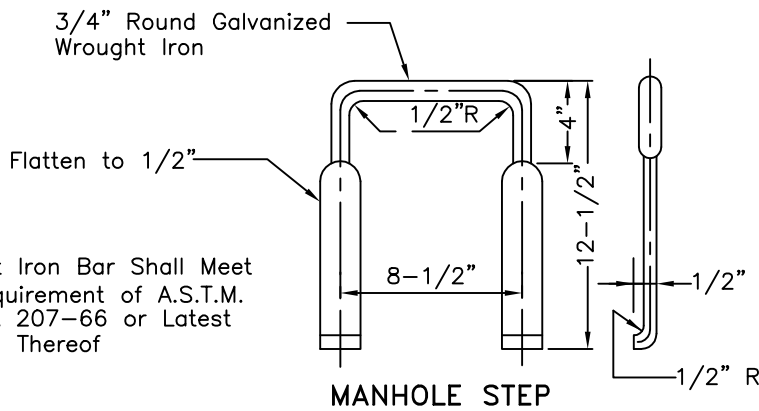


SIZE	A	B	C	D	E
10"	23"	20"	7/8"	3"	2-3/4"
8"	21"	18"	3/4"	3"	2-3/4"
6"	18"	15"	5/8"	3"	2-1/2"



QUARTER BEND

SPECIAL "Y" BRANCH



MANHOLE STEP

Note: Wrought Iron Bar Shall Meet the Requirement of A.S.T.M. Spec. A 207-66 or Latest Revision Thereof



APPROVED :  
*[Signature]*  
 HEAD, BUREAU OF WATER AND WASTEWATER  
*[Signature]*  
 DIRECTOR, DEPARTMENT OF PUBLIC WORKS

CITY OF BALTIMORE  
 DEPARTMENT OF PUBLIC WORKS  
 BUREAU OF WATER AND WASTEWATER

SPECIAL FITTINGS

ISSUED	REVISED	REVISED
3 / 2008		
<b>STANDARD NO. BC 831.23</b>		
SCALE : NONE		SHEET 1 OF 1