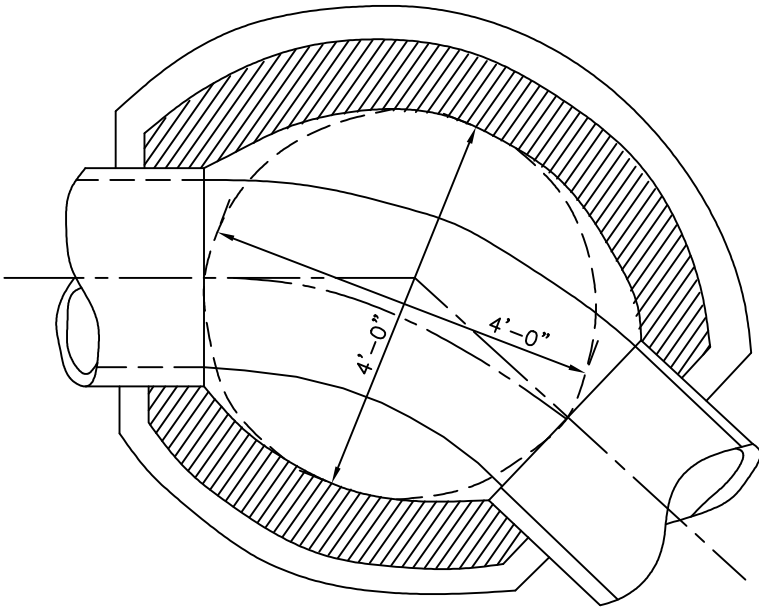

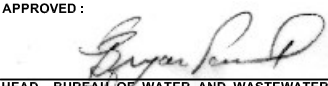
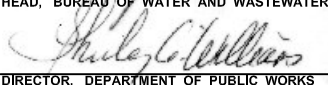


BENCH HEIGHT ABOVE OUTGOING PIPE  
INVERT TO BE EQUAL TO DIAMETER OF  
OUTGOING PIPE

STANDARD CHANNEL NO. 6  
(FOR 18", 21" AND 24" PIPE SEWERS)



STANDARD CHANNEL NO. 7

	APPROVED :	<p align="center"><b>CITY OF BALTIMORE</b> DEPARTMENT OF PUBLIC WORKS BUREAU OF WATER AND WASTEWATER</p>	ISSUED	REVISED	REVISED
	 HEAD, BUREAU OF WATER AND WASTEWATER		3 / 2008		
	 DIRECTOR, DEPARTMENT OF PUBLIC WORKS	<p align="center"><b>TYPICAL MANHOLE CHANNELS</b></p> <p align="center">STANDARD CHANNEL NO. 6 STANDARD CHANNEL NO. 7</p>	<p><b>STANDARD NO.</b> <b>BC 831.37</b></p>		
			SCALE : NONE	SHEET 1 OF 1	