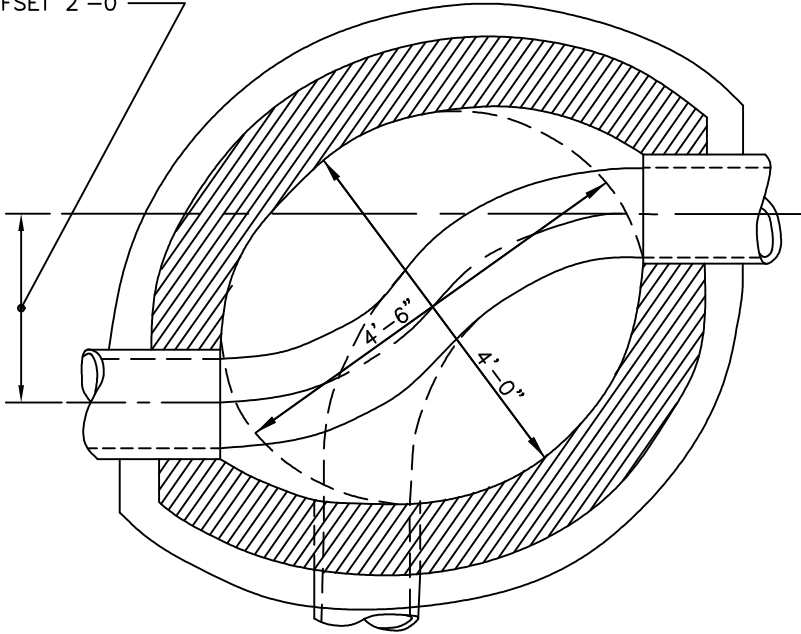
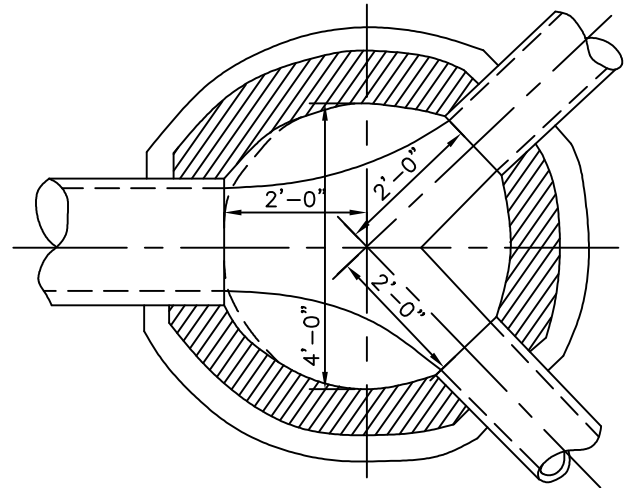


MAXIMUM  
OFFSET 2'-0"

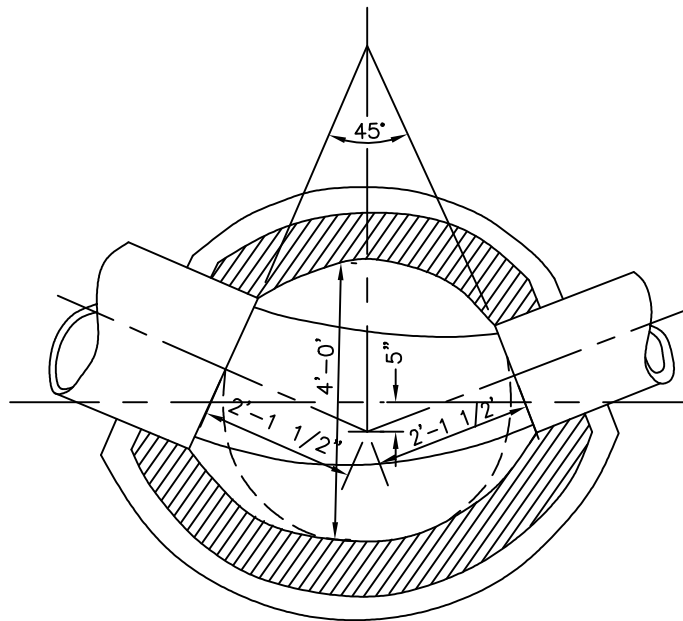


STANDARD CHANNEL NO. 8

BENCH HEIGHT ABOVE OUTGOING PIPE  
INVERT TO BE EQUAL TO DIAMETER OF  
OUTGOING PIPE



STANDARD CHANNEL NO. 9



STANDARD CHANNEL NO.10



APPROVED :  
*[Signature]*  
HEAD, BUREAU OF WATER AND WASTEWATER  
*[Signature]*  
DIRECTOR, DEPARTMENT OF PUBLIC WORKS

CITY OF BALTIMORE  
DEPARTMENT OF PUBLIC WORKS  
BUREAU OF WATER AND WASTEWATER

TYPICAL MANHOLE CHANNELS  
STANDARD CHANNEL NO. 8  
STANDARD CHANNEL NO. 9  
STANDARD CHANNEL NO. 10

ISSUED	REVISED	REVISED
3 / 2008		

**STANDARD NO.**  
**BC 831.38**

SCALE : NONE SHEET 1 OF 1