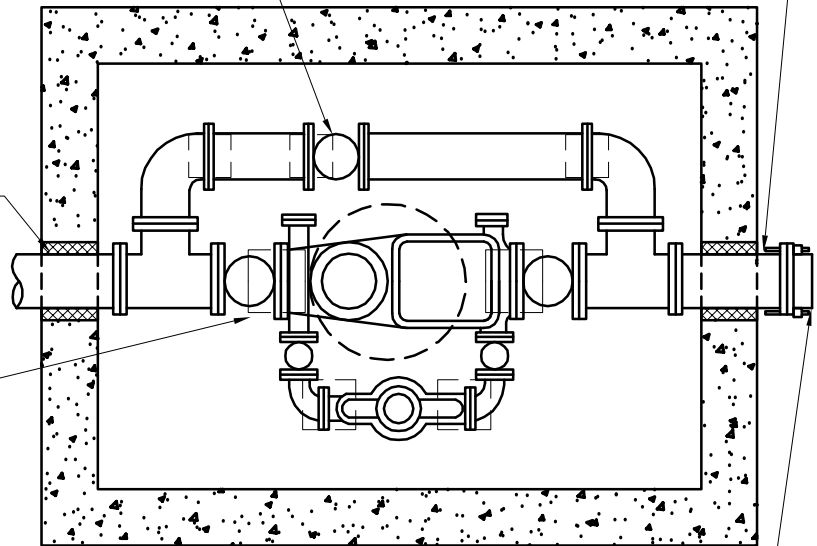


RESILIENT SEATED GATE VALVE (TYP.)
STANDARD 6'-0" LONG FLANGE AND SPIGOT D.I.P.

1" PREMOLDED EXP. JOINT FILLER (TYPICAL)

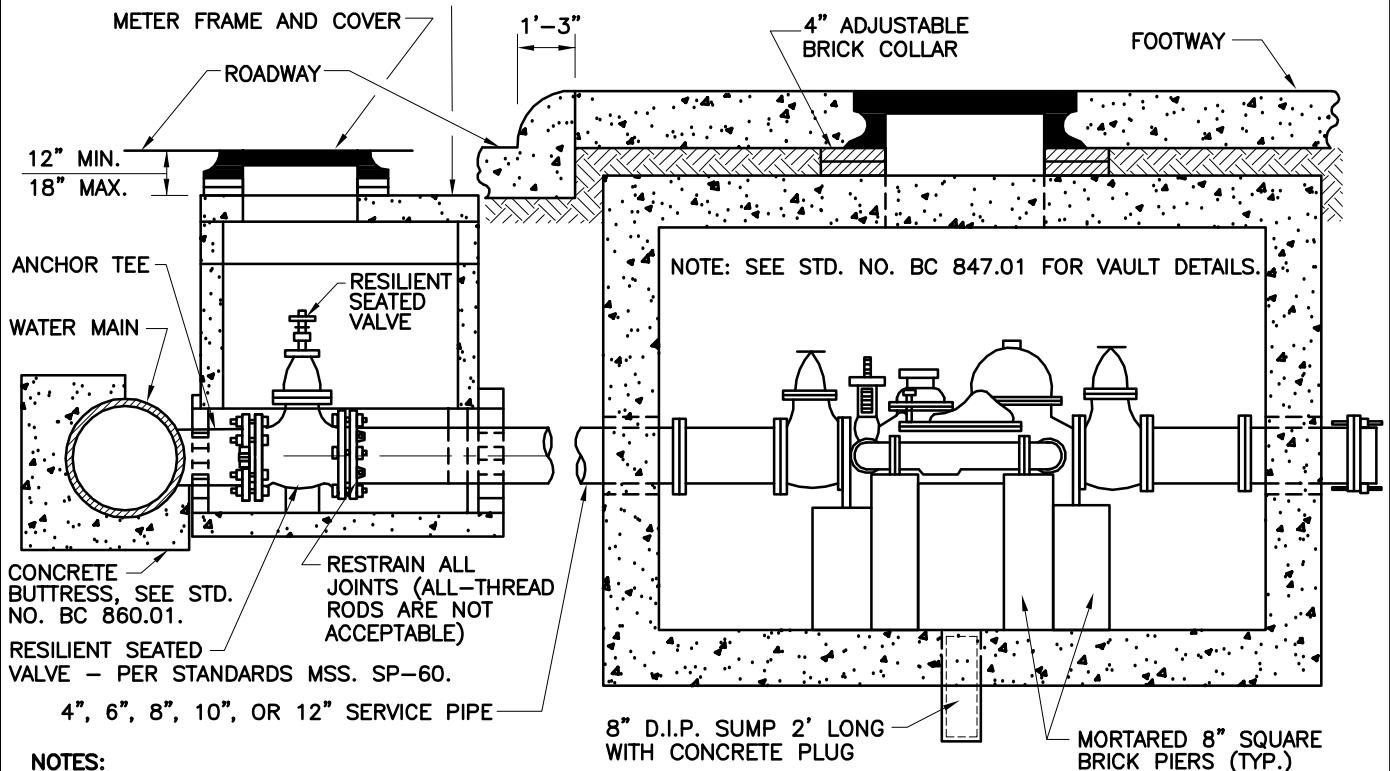
DETECTOR METER (MODEL F.M.)



MECH. JOINT CAP

PLAN (METER VAULT ONLY)

LARGE SECTIONAL VAULT (10" & 12" VALVES)
SMALL SECTIONAL VAULT (4", 6", & 8" VALVES)



ELEVATION

12" MIN.
18" MAX.

ANCHOR TEE
WATER MAIN

RESILIENT SEATED VALVE

RESTRAIN ALL JOINTS (ALL-THREAD RODS ARE NOT ACCEPTABLE)

CONCRETE BUTTRESS, SEE STD. NO. BC 860.01.

RESILIENT SEATED VALVE - PER STANDARDS MSS. SP-60.

4", 6", 8", 10", OR 12" SERVICE PIPE

NOTES:

1. CONCRETE SHALL BE MIX 3.
2. INSTALL A MIN. OF 8 DIAMETERS OF STRAIGHT PIPE ON THE INLET SIDE OF THE METER AND SET METER LEVEL.



APPROVED: *[Signature]*
HEAD, BUREAU OF WATER AND WASTEWATER

[Signature]
DIRECTOR, DEPARTMENT OF PUBLIC WORKS

CITY OF BALTIMORE
DEPARTMENT OF PUBLIC WORKS
BUREAU OF WATER AND WASTEWATER

STANDARD INSTALLATION OF
4", 6", 8", 10", & 12" WATER SUPPLY SERVICES
(4", 6", 8", 10", & 12" COMBINED SERVICES)
WITH TEE AND VALVE (SECTIONAL VAULT)

ISSUED	REVISED	REVISED
3 / 2008		

STANDARD NO.
BC 852.01

SCALE: NONE SHEET 1 OF 1