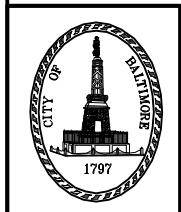
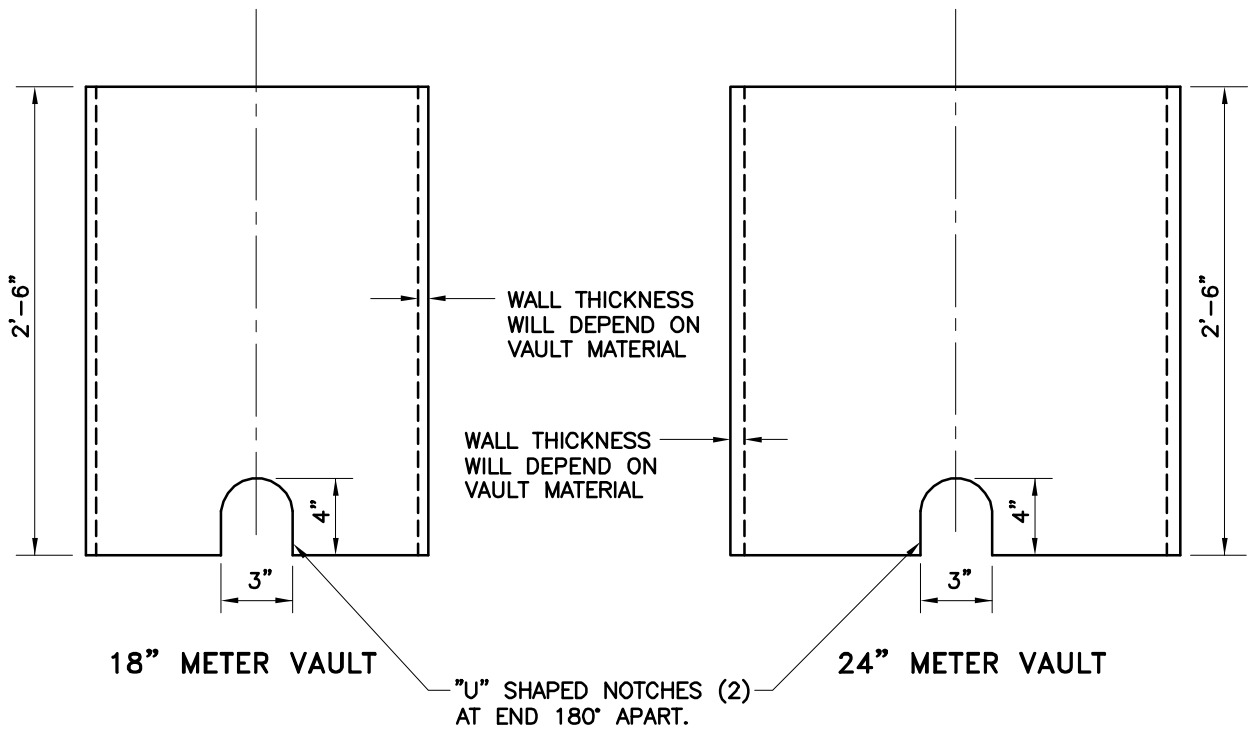


NOTE:
 METER VAULTS SHOULD BE PVC, PE, FIBERGLASS, OR APPROVED EQUAL.



APPROVED :
[Signature]
 HEAD, BUREAU OF WATER AND WASTEWATER
[Signature]
 DIRECTOR, DEPARTMENT OF PUBLIC WORKS

CITY OF BALTIMORE
 DEPARTMENT OF PUBLIC WORKS
 BUREAU OF WATER AND WASTEWATER

STANDARD WATER
 METER VAULTS

ISSUED	REVISED	REVISED
3 / 2008		
STANDARD NO. BC 853.01		
SCALE : NONE		SHEET 1 OF 1