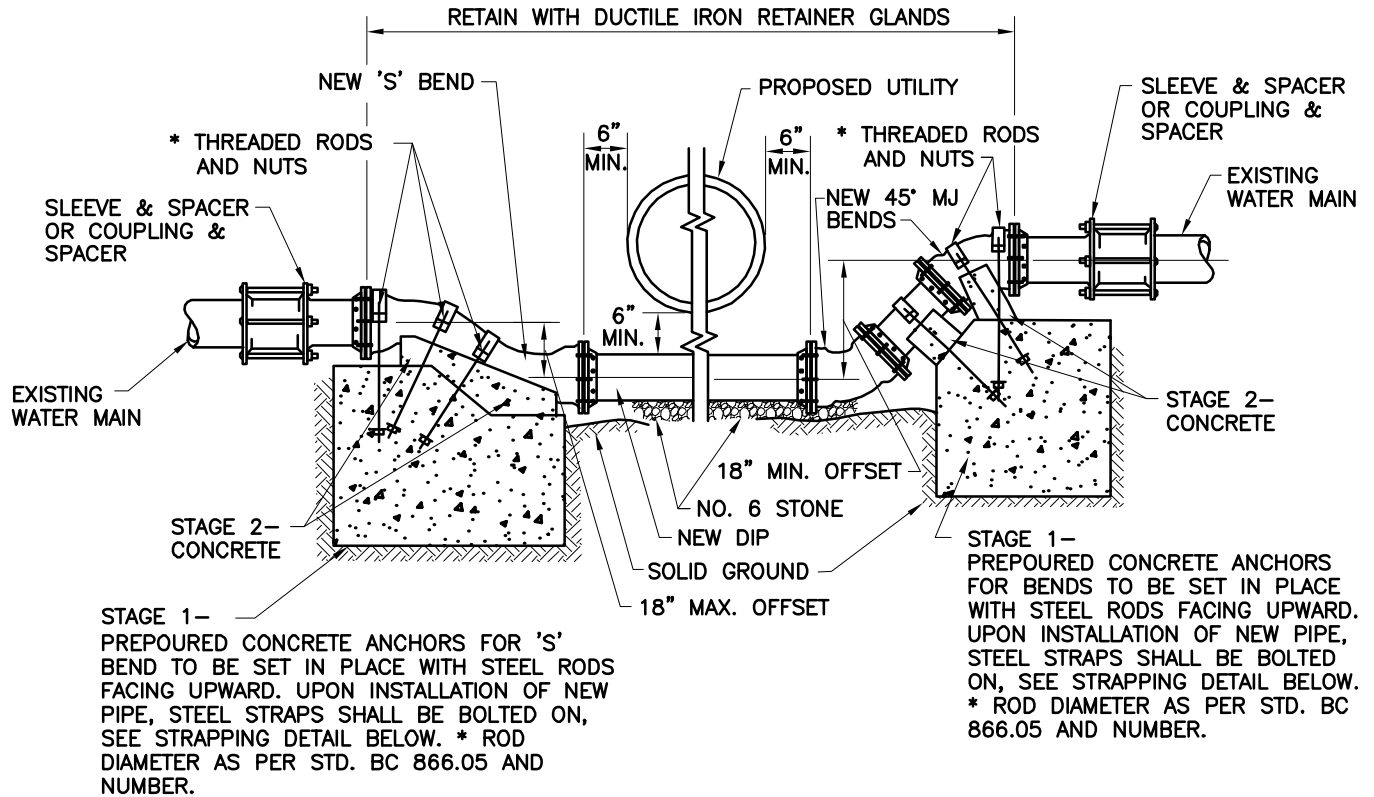
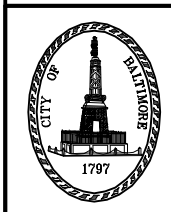
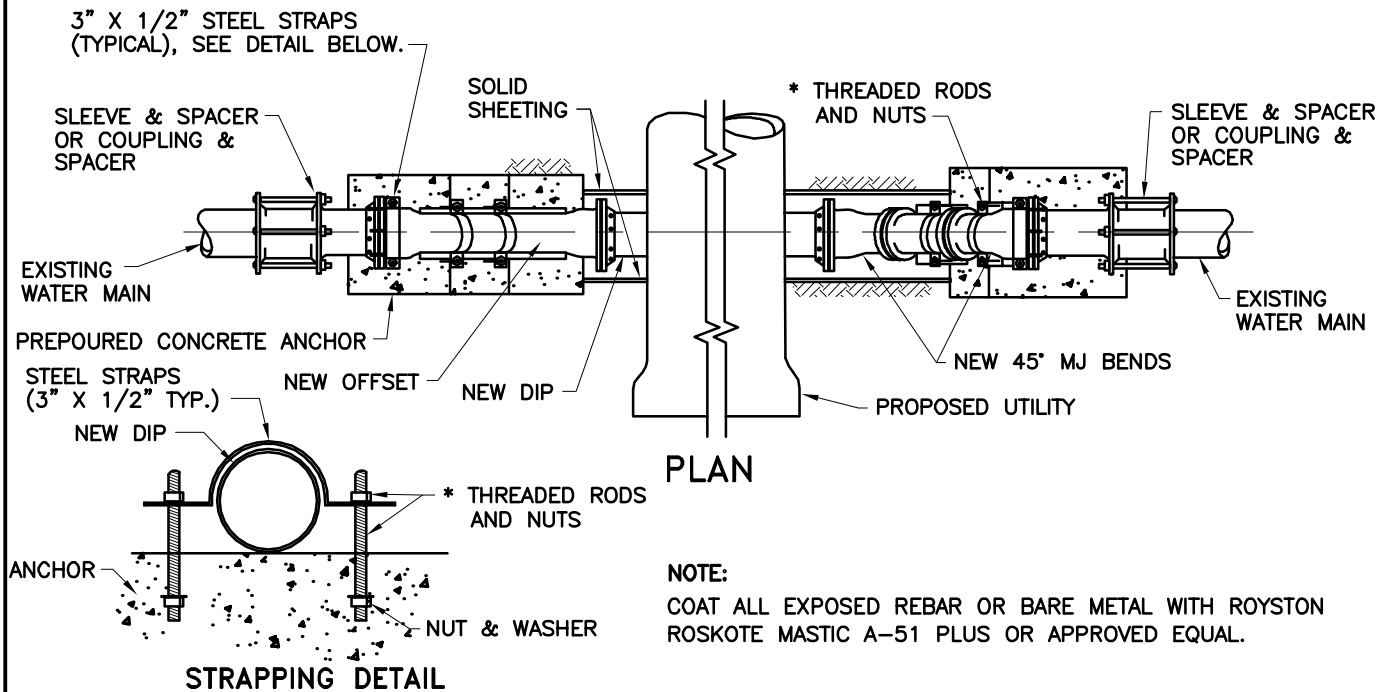


'S' BEND \leq 18" OFFSET

TWO 45° BENDS < 18" OFFSET



ELEVATION



APPROVED:

[Signature]

HEAD, BUREAU OF WATER AND WASTEWATER

[Signature]

DIRECTOR, DEPARTMENT OF PUBLIC WORKS

CITY OF BALTIMORE
DEPARTMENT OF PUBLIC WORKS
BUREAU OF WATER AND WASTEWATER

WATER MAIN RELOCATION
UNDER PROPOSED UTILITY

ISSUED	REVISED	REVISED
3 / 2008		

STANDARD NO.
BC 855.01

SCALE : NONE

SHEET 1 OF 1