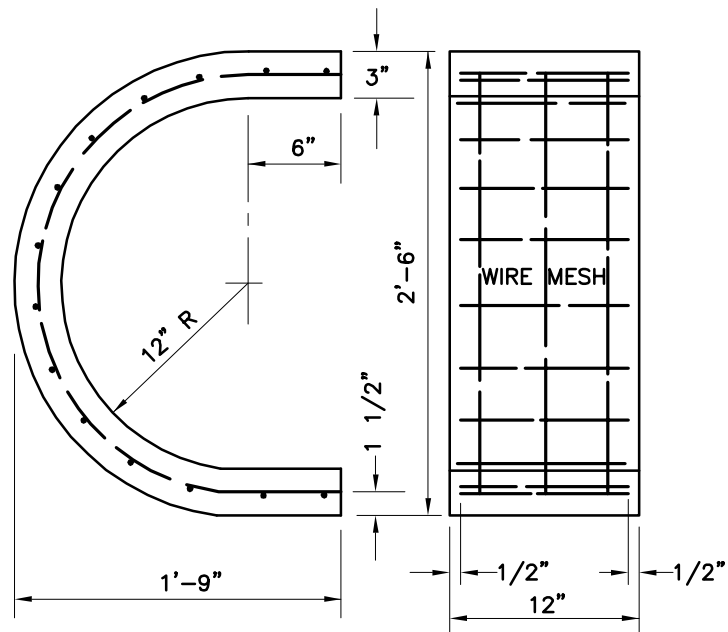


"B" SECTION

"A" SECTION



"C" SECTION

NOTES:

1. CONCRETE SHALL BE MIX 3.
2. WIRE MESH SHALL BE 4"x4" NO. 6 WIRE.



APPROVED:  
*[Signature]*  
 HEAD, BUREAU OF WATER AND WASTEWATER  
*[Signature]*  
 DIRECTOR, DEPARTMENT OF PUBLIC WORKS

CITY OF BALTIMORE  
 DEPARTMENT OF PUBLIC WORKS  
 BUREAU OF WATER AND WASTEWATER

DETAIL OF SMALL  
 SECTIONAL CONCRETE VAULT

ISSUED	REVISED	REVISED
3 / 2008		

STANDARD NO.  
 BC 870.01

SCALE : NONE

SHEET 2 OF 3