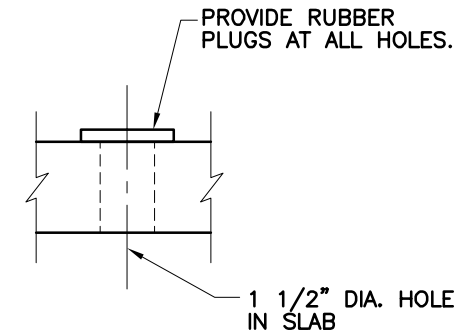
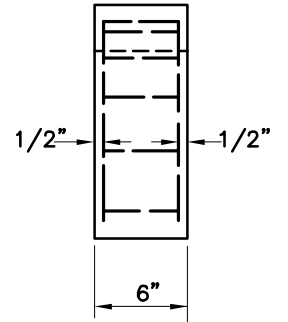
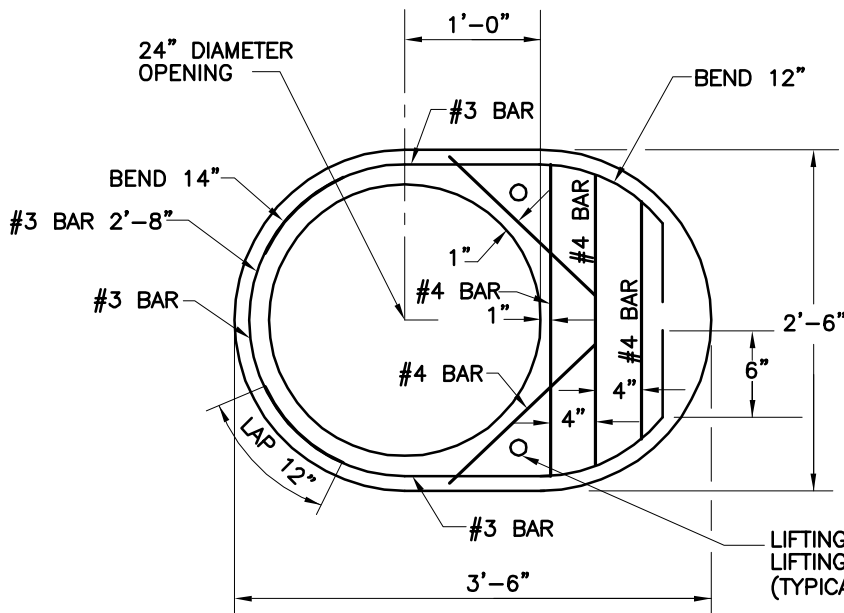


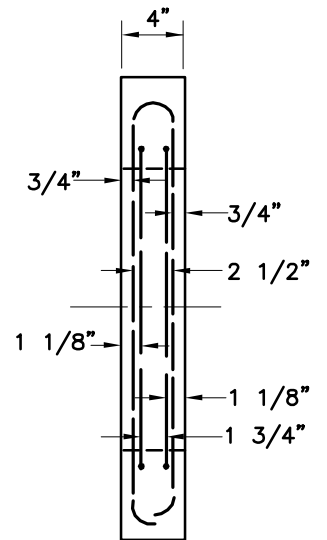
"D" SECTION


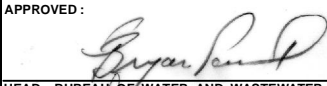
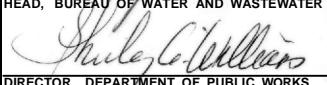


LIFTING HOLE DETAIL



"E" SECTION



	APPROVED :  HEAD, BUREAU OF WATER AND WASTEWATER	CITY OF BALTIMORE DEPARTMENT OF PUBLIC WORKS BUREAU OF WATER AND WASTEWATER	ISSUED	REVISED	REVISED
	 DIRECTOR, DEPARTMENT OF PUBLIC WORKS		3 / 2008		
	DETAILS OF "D" AND "E" SECTIONS - SMALL SECTIONAL CONCRETE VAULT		STANDARD NO. BC 870.01		
			SCALE : NONE	SHEET 3 OF 3	